

# Valves

# Valves

Right-Angle and Straight-Through Valves

Special Valves

Gate Valves

UHV Valves



# Contents

## Valves

### General

The Leybold Valve Program .....	5
---------------------------------	---

### Products

#### Small Valves of the “micro” Range

Overview .....	9
Right-Angle and Straight-Through Valves, Bellows-Sealed, Various Drives .....	10

#### Valves with ISO-KF Flanges

Overview .....	13
----------------	----

#### Nominal Width DN 16 ISO-KF to DN 50 ISO-KF

Right-Angle Valves, Bellows-Sealed, Manually Operated .....	14
Straight-Through Valves, Bellows-Sealed, Manually Operated .....	15
Right-Angle Valves, Bellows-Sealed, (Electro)pneumatically Operated .....	16
Straight-Through Valves, Bellows-Sealed, (Electro)pneumatically Operated .....	18
Right-Angle Valves, Electromagnetically Operated .....	20

#### Valves with ISO-K Flanges

Overview .....	23
----------------	----

#### Nominal Width DN 63 ISO-K to DN 160 ISO-K

Right-Angle Valves, Bellows-Sealed	
Manually Operated .....	24
Electropneumatically Operated .....	26

#### Special Valves with ISO-KF / ISO-K / CF Flange

Overview .....	28
----------------	----

#### Nominal Width DN 10 ISO-KF to DN 40 ISO-KF or ISO-K

SECUVAC Vacuum Safety Valves .....	29
Interference Suppression Kit – Illuminated .....	31
Pressure Relief Valve .....	32
Power Failure Venting Valves, Electromagnetically Actuated .....	33
Variable Leak Valves with Isolation Valve .....	34
Venting Valves	
Manually Operated .....	35
Electromagnetically Operated .....	36
Vacuum Locks and Sealing Valves .....	38
Ball Valves .....	40
<b>Accessories for the Electropneumatically Operated Valves</b>	
Pilot Valves .....	41
Interference Suppression Kit – Illuminated .....	41
Special Valves for Turbomolecular Pumps .....	42

## Nominal Width DN 16 CF to DN 63 CF

### UHV Valves

All-Metal Right-Angle Valves . . . . .	44
All-Metal Variable Leak Valves . . . . .	45

### Gate Valves with ISO-KF / CF / ISO-F Flange

Overview . . . . .	47
Miniature Gate Valves, ISO-KF, Manually Operated (Articulated Lever) . . . . .	48
Miniature UHV Gate Valves, ISO-KF and CF	
Manually Operated (Handwheel) . . . . .	50
Electropneumatically Operated . . . . .	52
HV Gate Valves, ISO-F	
Manually Operated . . . . .	54
Electropneumatically Operated . . . . .	56
UHV Gate Valves, CF, Manually Operated . . . . .	58
UHV Gate Valves, Electropneumatically Operated	
ISO-F Flange . . . . .	60
CF Flange . . . . .	62

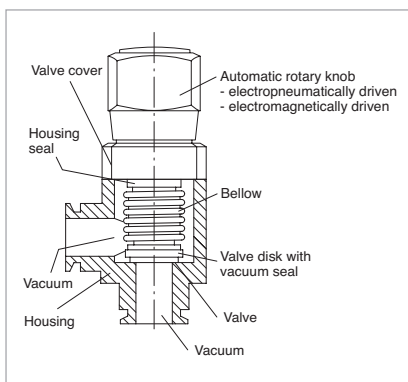
# General

## The Leybold Valve Program

The long-standing experience of Leybold in the area of vacuum engineering is reflected in the selection and the design of the valves and vacuum protection components for a wide variety of applications.

The range of products is such that a reliable solution can be offered for every vacuum engineering application. Many years of service and the reliability of the valves is ensured by design. Leybold valves are well-proven in many widely varying areas of research and industry.

## The Design of a Vacuum Valve Scope of the Range of Valves



### The range of Leybold valves comprises:

- Small valves **micro**
- Right-angle and straight-through valves with a nominal width of DN 16 to DN 40 with ISO-KF flanges
- Right-angle valves with a nominal width of DN 63 to DN 250 with ISO-K flanges
- Gate valves with a nominal width of DN 16 to DN 250 with various flanges
- Ball valves
- Special valves

It is the aim of Leybold to meet, through the offered range of isolation components and valves, the customers requirements regarding the design of such components. For this reason all valves are available with different driving systems.

With the exception of the special valves you may select between an electro-pneumatic drive or an electro-magnetic drive system.

Right-angle valves DN 16 ISO-KF to DN 40 ISO-KF as well as DN 63 ISO-K to DN 160 ISO-K are either available with an Aluminum or stainless steel body (the latter up to DN 100 ISO-K only).

### The special characteristics of the application in each case result in special requirements concerning features of the valves, for example:

- Coating
  - Short switching cycles (e.g. 1.5 s)
  - Very high number of opening and switching cycles (e.g. over 10 million cycles)
- Analytical engineering
  - High conductance (similar to the corresponding flange components, like bends, for example)
  - High integral leak tightness for the valves (leak rates below  $10^{-9}$  mbar l/s)
- Lamps and tubes manufacture
  - Temperature resistant
  - Permissible ambient temperatures, 50 °C max.
- Accelerator technology
  - Materials capable of resisting radiation, high temperatures and corrosion at the same time
- Metallurgy and furnace manufacture
  - Rugged and insensitive to contamination
- Chemistry
  - Choice of materials in contact with the medium for the valve body

All applications have the following requirements in common:

- Quiet opening action with very little vibration
- Compact design, low weight
- Highly visible, unambiguous position indicator
- For use within the pressure range from  $10^{-8}$  to 2500 mbar, if not stated otherwise
- Fully operational within the entire specified pressure range

**Leybold valves meet these requirements, unless otherwise stated by the technical data.**

## Quality Assurance

The various markets, like Analytical or Coating, for example are very demanding regarding certain important features for the valves which are to be used in the new generation of instruments currently under development. Demanded are, among other things, high reliability during the entire service life, high integral leak tightness, a high number of opening/closing cycles as well as a fast response.

**The valves from Leybold meet all these demanding requirements!**

For further information on flange connections and flange components please refer to Catalog Parts "Flanges and Fittings" and "Feedthroughs".

## Flange Designations

The flange designations used in this Catalog Part are in line with the international standards and the nomenclature used in practice:

Flange Type	Standard	Designation with standardized nominal width <sup>1)</sup> (DN)
Small flanges	ISO 2861/1	"ISO-KF"
	DIN 28 403	e.g. DN 40 ISO-KF
Clamp flanges	ISO 1609	"ISO-K"
	DIN 28 404	e.g. DN 100 ISO-K
Fixed flanges/ collar flanges with retaining ring	ISO 1609	"ISO-F"
	DIN 28 404	"F" for fixed flange e.g. DN 250 ISO-F

In the case of gate valves equipped with CF flanges the following must be noted:

The designation DN 35 CF for UHV flanges has been changed to DN 40 CF with the sealing parameters remaining unchanged; the same applies to DN 150 CF which has changed to DN 160 CF.

## Advantages to the User

- Compact design
- Integral leak rate less than  $10^{-8}$  mbar l/s
- FPM (FKM) sealed
- For pressures up to 2000 mbar
- Seal in both directions <sup>2)</sup>
- Principal dimensions comparable to Leybold flange components of the same nominal width
- Reliable operation ensured regardless of the valve's orientation
- Optical valve position indicator as standard (not for valves of the "micro" range)
- Electrical valve position indicator as standard (not for valves of the "micro" range)
- Operation of electromagnetic ISO-KF valves off supply voltages ranging from 100 to 230 V AC
- The inside of the housing in contact

with the medium is sealed off against the atmosphere by a bellows type seal which is free of lubricants.

**All further technical data as well possible deviations from the general specifications stated here can be found along with the descriptions for the individual valve types.**

For various applications and special design requirements Leybold offers a range of special valves:

- SECUVAC vacuum safety valves (DN 16 ISO-KF to DN 100 ISO-K)
- Venting valves / power failure venting valves
- Vacuum locks / sealing valves
- Variable leak valves
- Ball valves (straight-through valve)

## Accessories

**All connecting components like centering rings, clamps or clamping rings needed to connect the valves must be ordered separately (see Catalog Parts "Flanges and Fittings" and "Feedthroughs").**

## Materials

The valve bodies and the inside parts are made of selected, vacuum compatible materials, like wrought aluminum or cast stainless steel.

The raw components are subjected to a 100% test before they are further processed.

The materials which are used are described in the tables at the end of the chapter "General".

## Gaskets

Shown in the table at the end of the chapter "General" are the types of gasket used in the valves together with their brief or chemical designations and their thermal ratings.

## Other Materials

Plastic:	Polyamide 6 (PA 6)
Grey cast iron:	GG 20 (0.6020)
Brass:	Ms 58
Brass (nickel-plated):	CuZn39Pb3
Nimonic	
Bronze	
Spring steel	

<sup>1)</sup> The standardized nominal width (DN) corresponds approximately to the inside diameter, but need not necessarily be identical to the inside diameter.

<sup>2)</sup> High vacuum systems are very demanding as to the leak tightness of the vacuum components used. For this reason each individual Leybold valve is subjected to a helium leak test before delivery. The valves are only considered as leak tight, if a leak rate of less than  $10^{-9}$  mbar x l/s can be measured for the body and the valve seat.

In the case of our high vacuum valves with ISO-KF and ISO-K flanges a leak rate of less than  $10^{-9}$  mbar x l/s is maintained also during actuation.

This means that in the case of a gas flow of the mentioned order of magnitude the pressure would increase only by 3 mbar in a vessel of 1 liter and in 100 years.

## Materials

### Aluminum Alloys

Material No.		Brief Designation
DIN	AA	DIN
3.0615	–	AlMgSiPbF28
3.2153	–	G AlSi7Cu3
3.2315	6081	AlMgSi1F28
3.2341	–	G AlSi5Mg wa
3.2371	–	G AlSi7Mg06
3.2373	–	G AlSi9Mg
3.2381	–	G AlSi10Mg wa
3.3527	–	AlMg2Mn0,8F20

### Stainless Steels

Material No.		Brief Designation
DIN	AISI	DIN
1.4034	420	X 46 Cr 13
1.4301	304	X5 CrNi 18 10
1.4305	303	X10 CrNi 51 89
1.4306	304 L	X2 CrNi 18 10
1.4308	–	G-X6 CrNi 18 1
1.4310	301	X12 CrNi 17 7
1.4404	316 L	X2 CrNiMo 17 13 3
1.4435	316 L	X2 CrNiMo 18 14 3
1.4541	321	X10 CrNiTi 18 10
1.4571	316 Ti	X6 CrNiMoTi 17 12 2

### Standard Steels

Material No.	Brief Designation
DIN	DIN
1.0388	St4/St14
1.0425	H II

### Materials used for the Gaskets

Brief Designation	Chemical Designation	Typical Trade Name	Degassing Temperature
FPM (FKM)	Fluor caoutchouc	Viton	up to 150 °C
NBR	Acrylonitrile-butadiene rubber	Perbunan	up to 80 °C
PTFE	Polytetrafluor ethylene	Teflon	up to 250 °C
EPDM	Ethylene-propylenedien caoutchouc	–	up to 150 °C

### Abbreviations used in the valve designations

Brief Designation	Valve Type
EMD	Solenoid straight-through valve
EME	Solenoid right-angle valve
EPD	Electropneumatic straight-through valve
EPE	Electropneumatic right-angle valve
MAN	Manual operation
PD	Pneumatic straight-through valve
PE	Pneumatic right-angle valve

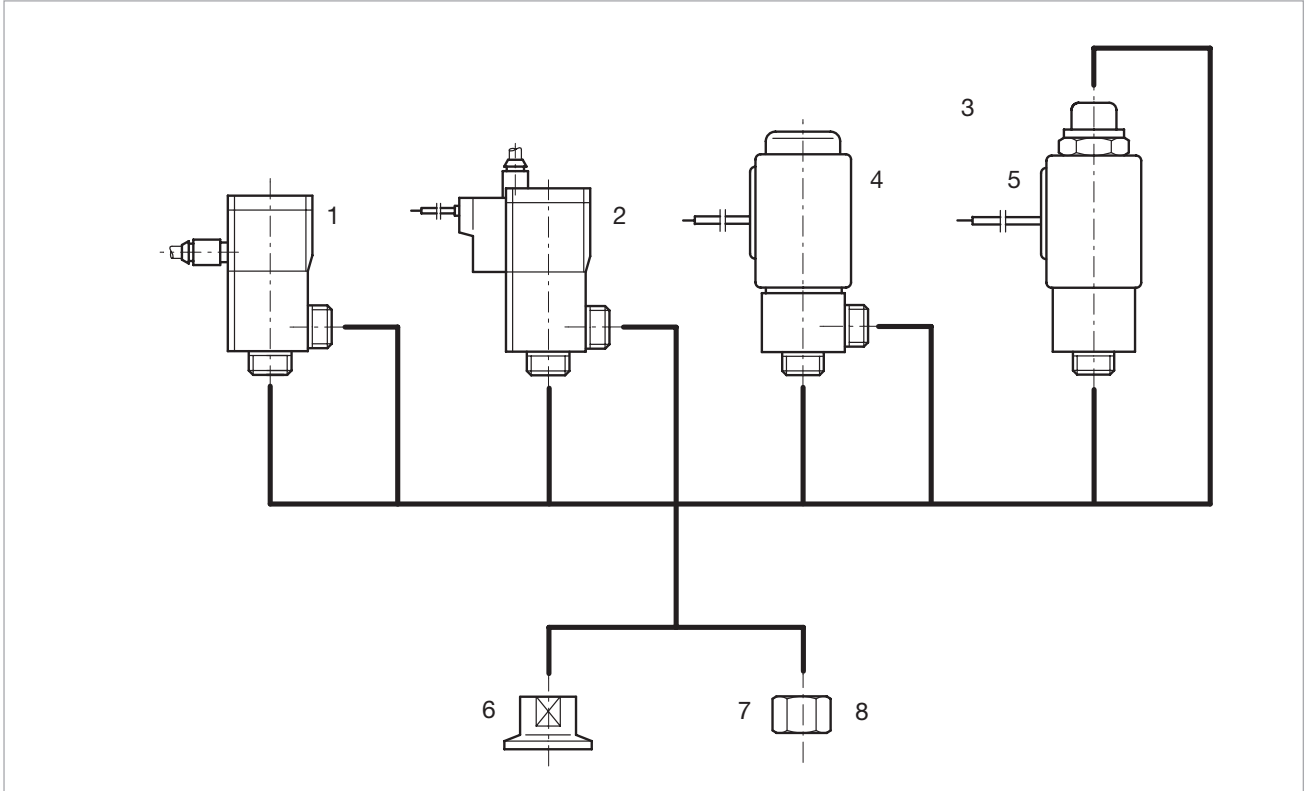




# Products

## Small Valves of the “micro” Range

### Overview



Leybold small valves **micro** are available with any of three drive systems, two types of body and three adaptors.

#### Types of drive

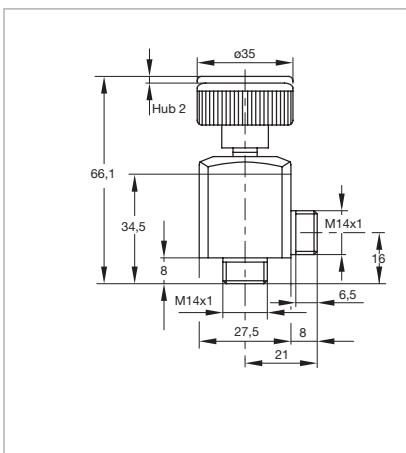
- Pneumatic (1)
- Electropneumatic (2)
- Electromagnetic (3)

#### Types of valve body

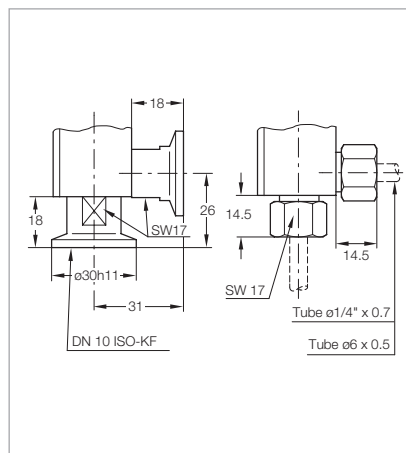
- Right-angle valve (4)
- Straight-through valve (5)

#### as well as adaptor

- DN 10 ISO-KF flange (6)
- 1/4" tube (7)
- 6 mm tube (8)



Dimensional drawing for the **micro MAN**



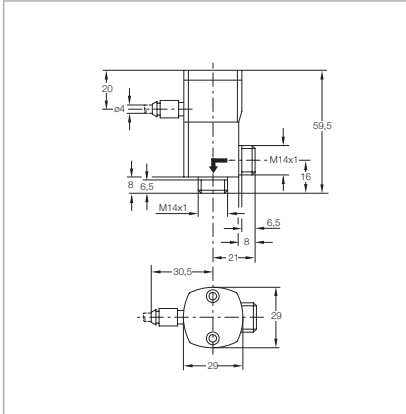
Connection dimensions for small valves **micro**

#### Technical Information

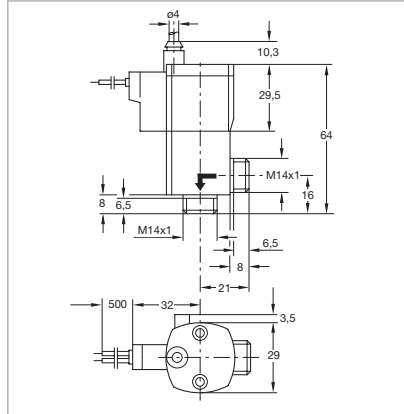
**micro** valves are supplied without adaptor.

The adaptors must be ordered additionally.

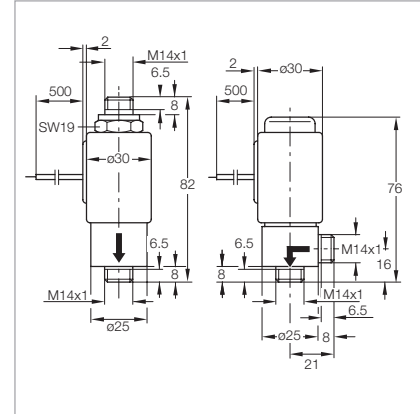
# Right-Angle and Straight-Through Valves, Bellows-Sealed, Various Drives



Dimensional drawing for the pneumatically actuated small valves **micro**



Dimensional drawing for the electropneumatically actuated small valves **micro**



Dimensional drawing for the electromagnetic actuated small valves **micro**

## Advantages to the User

- Small size
- High conductance in the molecular flow range
- Long service life of over 2 million switching cycles
- High switching frequency
- Protection class IP 50

## Typical Applications

- Gas handling systems in production machines
- Latest generation analytical equipment

## Technical Data

### Small Valves "micro"

		Elektropneumatic	Pneumatic	Electromagnetic
Nominal width	mm	5	5	5
Integral leak rate	mbar x l/s	$10^{-9}$	$10^{-9}$	$10^{-9}$
Switching cycles		5 millions	5 millions	5 millions
Max. pressure differential	bar abs.	3	3	1
Closure time	ms	35	35	7
Opening time	ms	35	35	30
Max. switching frequency	min <sup>-1</sup>	150	150	300
Conductance, molecular	l/s	0.4	0.4	0.3
Supply voltage	V DC	24 (with pilot valve)	–	24
Max. power consumption	W	1	–	10
<b>Material</b>				
Valve body		stainless steel (1.4301)	stainless steel (1.4301)	stainless steel (1.4301)
Inside section		stainless steel (1.4301)	stainless steel (1.4301)	stainless steel (1.4301)
Seals		O-rings of FPM (FKM)	O-rings of FPM (FKM)	O-rings of FPM (FKM)
Drive		aluminum anodized	aluminum anodized	stainless steel 1.4105

## Ordering Information

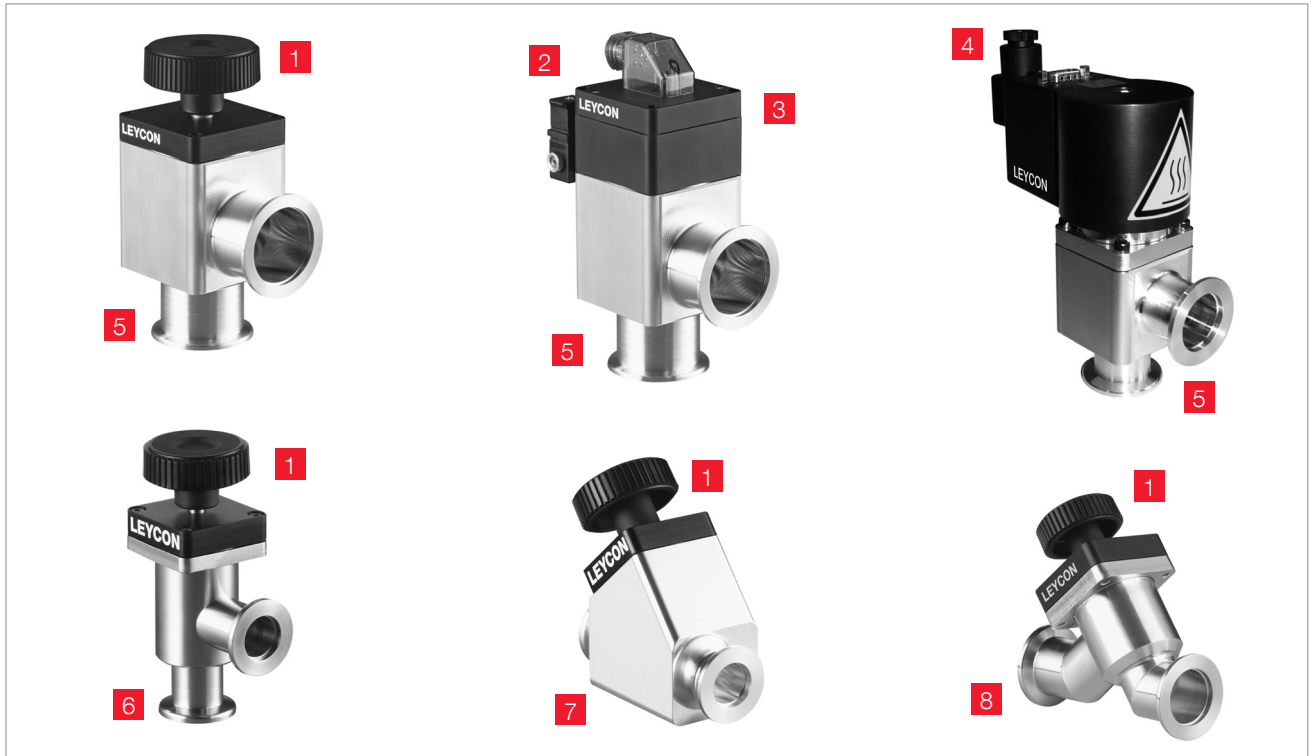
## Small Valves "micro"

	Part No.
<b>Right-Angle Valves, normally closed</b>	
Electropneumatic (with pilot valve)	<b>284 41</b>
Pneumatic (without pilot valve), with flanges DN 10 ISO-KF	<b>284 47</b>
Electromagnetic, 24 V DC	<b>284 44</b>
<b>Straight-Through Valves, normally closed</b>	
Electromagnetic, 24 V DC	<b>284 45</b>
<b>Adaptor (1 piece)</b>	
Flange DN 10 ISO-KF	<b>284 50</b>
Tube 1/4"	<b>284 51</b>
Tube 6 mm	<b>284 52</b>



# Valves with ISO-KF Flanges

## Overview



Leybold ISO-KF valves are available with any of four drive systems and four types of body having a nominal width of DN 16, 25, 40 and 50 ISO-KF.

### Abbreviations used in connection with bellows sealed valves:

**B** Bellows sealed

**A** Angle (valve)

**I** Inline (valve)

**V** Valve

**M** Rotary knob

**P** Pneumatically actuated  
(without pilot valve)

**EP** Electropneumatically actuated  
(with pilot valve)

**EM** Electromagnetically actuated

**AL** Aluminum body

**SS** Stainless steel body

**BAV ... EP AL ...**

### Types of drive

- Rotary knob **1**  
with bellows seal
- Pneumatic **2**  
with bellows seal
- Electropneumatic **3**  
with bellows seal
- Electromagnetic **4**

### Types of valve body

- Right-angle valve,  
aluminum body **5**
- Right-angle valve,  
stainless steel body **6**
- Straight-through valve,  
aluminum body **7**
- Straight-through valve,  
stainless steel body **8**

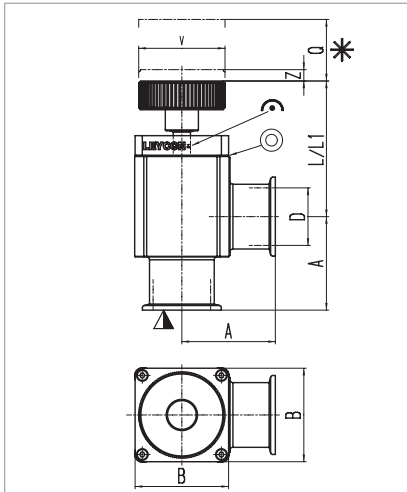
### Materials Used

	Aluminum version	Stainless steel version
Housing	Aluminum (AlMgSi) EN-AW 6060 <sup>1)</sup>	Stainless steel (AISI 304)
Inner section <sup>1)</sup>	Aluminum (AlMgSi)	Stainless steel (AISI 304)
Drive unit <sup>2)</sup>	Aluminum	Aluminum
Valve disk	AISI 316L	AISI 316L
Bellows	AISI 316	AISI 316
Head and disk O-ring	Viton	Viton
Rotary knob	Plastic	Plastic
Position indicating cover <sup>2)</sup>	Plastic	Plastic
Housing cover <sup>1)</sup>	Plastic	Plastic

<sup>1)</sup> For the solenoid version only

<sup>2)</sup> For pneumatic and electropneumatic version only

# Right-Angle Valves, Bellows-Sealed, Manually Operated



Dimensional drawing for the manually operated, bellows-sealed, right-angle valves

## Dimension Table

DN	ISO-KF	16	25	40	50
A	mm	40	50	65	70
B	mm	40	48	65	77
D	mm	16	25	40	50
L <sup>1)</sup>	mm	64.9	60.9	94.3	101.1
L1 <sup>2)</sup>	mm	67.4	64.3	97.3	104.1
Q	mm	46	44	73.5	85.5
V	mm	40	40	60	60
Z <sup>3)</sup>	mm	3.6	4.7	7.9	9.3

<sup>1)</sup> Aluminum version

<sup>2)</sup> Stainless steel version

<sup>3)</sup> Disk stroke is greater due to the transmission

## Advantages to the User

### Valves with Rotary Knob

- Allow also for reduced venting of systems
- Suited as a manually operated variable leak valve to roughly control gas flows
- Leak tight in both directions up to a pressure of 2.0 bar and easy to open
- Installation in any orientation

## Connection Icons

- ▼ Side of the valve seat
- \* Required clearance
- ⦿ Mechanical position indicator
- ⊗ Leak detection bore

## Technical Data

### DN 16 ISO-KF

### DN 25 ISO-KF

### DN 40 ISO-KF

### DN 50 ISO-KF

		Aluminum	Stainl. Steel	Aluminum	Stainl. Steel	Aluminum	Stainl. Steel	Aluminum	Stainl. Steel
Service life	Cycles	30,000							
Conductance at molecular flow	l/s	5	5	14	14	45	45	50	50
Leak rate	mbar x l/s	1 x 10 <sup>-9</sup>							
Operating pressure range	mbar	10 <sup>-8</sup> – 5000							
Differential pressure, closing and opening direction	bar	5 / 2							
Ambient / operating temperature, max.	°C	80							
Seal		FPM (FKM)							
Weight	kg	0.3	0.3	0.4	0.5	1.0	1.1	1.4	1.5

## Ordering Information

### DN 16 ISO-KF

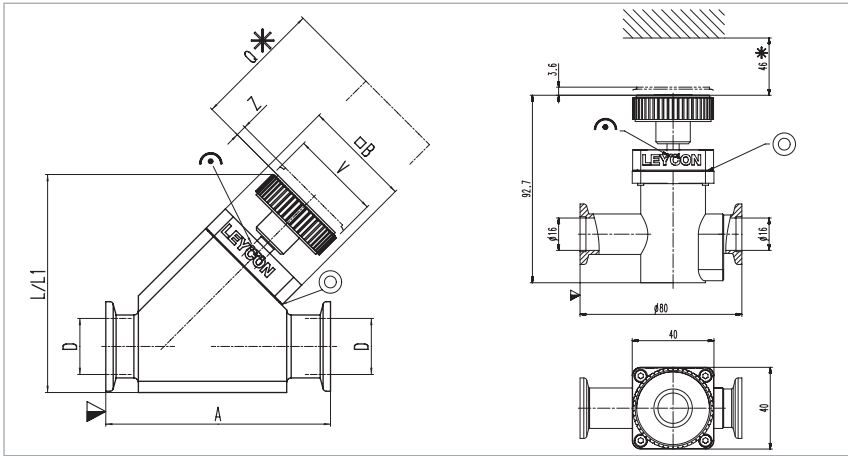
### DN 25 ISO-KF

### DN 40 ISO-KF

### DN 50 ISO-KF

	Aluminum	Stainl. Steel	Aluminum	Stainl. Steel	Aluminum	Stainl. Steel	Aluminum	Stainl. Steel
	<b>Part No.</b>	<b>Part No.</b>	<b>Part No.</b>	<b>Part No.</b>	<b>Part No.</b>	<b>Part No.</b>	<b>Part No.</b>	<b>Part No.</b>
Right-angle valve, rotary knob								
BAV ... M AL	<b>215 375</b>	-	<b>215 376</b>	-	<b>215 377</b>	-	<b>215 378</b>	-
BAV ... M AL EPDM	<b>215 384</b>							
	<b>V001</b>	-	-	-	-	-	-	-
BAV ... M SS	-	<b>215 383</b>	-	<b>215 385</b>	-	<b>215 386</b>	-	<b>215 387</b>
Spare parts								
Bellows feedthrough	<b>E 242 292</b>		<b>E 233 014</b>		<b>E 229 542</b>		<b>E 244 980</b>	
Knob	<b>E 245 912</b>				<b>E 245 913</b>			
Seal kit consisting of disk seal (O-ring) and head seal (O-ring)	<b>EK 242 324</b>		<b>EK 241 077</b>		<b>EK 241 079</b>		<b>EK 245 556</b>	

# Straight-Through Valves, Bellows-Sealed, Manually Operated



Dimensional drawing for the manually operated, bellows-sealed straight-through valves; right DN 16 ISO-KF

## Dimension Table

DN	ISO-KF	16	25	40	50
A	mm	80	100	130	178
B	mm	40	48	65	77
D	mm	16	25	40	50
L <sup>1)</sup>	mm	90.6	97	143.5	167.2
L1 <sup>2)</sup>	mm	92.8	105.8	152.5	172.1
Q	mm	46	44	73.5	85.5
V	mm	40	40	60	60
Z <sup>3)</sup>	mm	3.6	4.7	7.9	9.3

<sup>1)</sup> Aluminum version

<sup>2)</sup> Stainless steel version

<sup>3)</sup> Disk stroke is greater due to the transmission

## Advantages to the User

Valves with Rotary Knob

- Allow also for reduced venting of systems
- Suited as a manually operated variable leak valve to roughly control gas flows

- Leak tight in both directions up to a pressure of 2.0 bar and easy to open
- Installation in any orientation

## Connection Icons

▽ Side of the valve seat

\* Required clearance

⊙ Mechanical position indicator

⊙ Leak detection bore

## Technical Data

DN 16 ISO-KF

DN 25 ISO-KF

DN 40 ISO-KF

DN 50 ISO-KF

		Aluminum	Stainl. Steel	Aluminum	Stainl. Steel	Aluminum	Stainl. Steel	Aluminum
Service life	Cycles	30,000						
Conductance at molecular flow	l/s	5	5	14	14	45	45	50
Leak rate	mbar x l/s	1 x 10 <sup>-9</sup>						
Operating pressure range	mbar	10 <sup>-8</sup> – 5000						
Differential pressure, closing and opening direction	bar	5 / 2						
Ambient / operating temperature, max.	°C	80						
Seal		FPM (FKM)						
Weight	kg	0.4	0.8	0.5	0.5	1.3	1.2	2.2

## Ordering Information

DN 16 ISO-KF

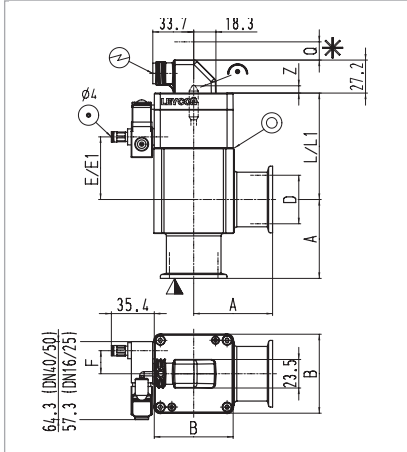
DN 25 ISO-KF

DN 40 ISO-KF

DN 50 ISO-KF

	Aluminum	Stainl. Steel	Aluminum	Stainl. Steel	Aluminum	Stainl. Steel	Stainl. Steel
	Part No.	Part No.	Part No.	Part No.	Part No.	Part No.	Part No.
Straight-through valve, rotary knob							
BAV ... M AL	215 313	-	215 388	-	215 389	-	215 390
BAV ... M SS	-	215 379	-	215 374	-	215 381	-
Spare parts							
Bellows feedthrough	E 242 292		E 233 014		E 229 542		E 244 980
Knob	E 245 912				E 245 913		
Seal kit consisting of disk seal (O-ring) and head seal (O-ring)	EK 242 324		EK 241 077		EK 241 079		EK 245 556

# Right-Angle Valves, Bellows-Sealed, (Electro)pneumatically Operated



Dimensional drawing right-angle valves,  
with fitted pilot valve

## Dimension Table

DN	ISO-KF	16	25	40	50
A	mm	40	50	65	70
B	mm	40	48	65	77
D	mm	16	25	40	50
L <sup>1)</sup>	mm	65.2	60.6	87.7	96
L1 <sup>2)</sup>	mm	67.7	64	90.7	99
Q	mm	46	44	73.5	85.5
F	mm	9	13	19	20
Z	mm	2	4	9.5	10
E <sup>1)</sup>	mm	35.6	30.6	51.6	58.4
E1 <sup>2)</sup>	mm	38.1	34	54.6	61.4

<sup>1)</sup> Aluminum version

<sup>2)</sup> Stainless steel version

## Connection Icons

- ▼ Side of the valve seat
- \* Required clearance
- ☉ Mechanical position indicator
- ⊕ Leak detection bore
- ⊙ Electrical connection
- ⊙ Compressed air connection

## Advantages to the User

- Quiet opening and closing action with very little vibration
- Short opening and closing times
- Optical valve position indicator as standard
- Very low leak rate and insensitive to particles owing to bellows seal. Always closed in case the compressed air supply fails
- Electric position indicator is standard
- With and without pilot valve as standard
- Standard electrical and compressed air connections
- Protection class IP 50
- The valves are closed by the restoring force of a spring
- Installation in any orientation and no restrictions as to the direction of flow



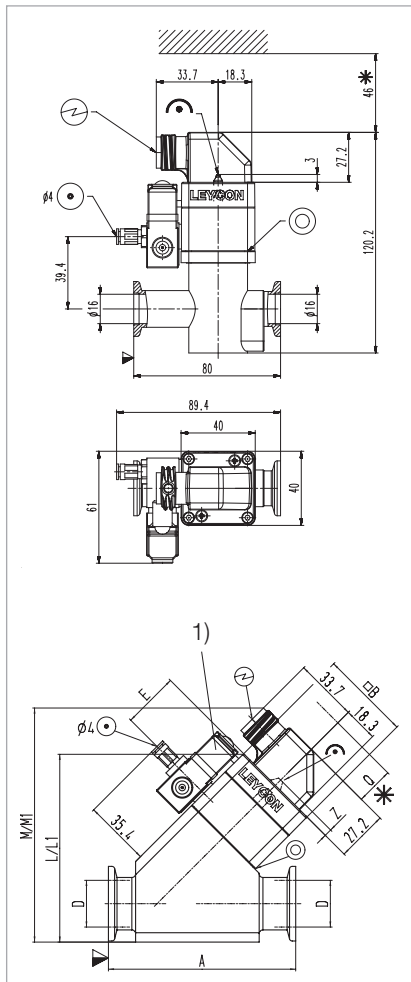
## Technical Data

		DN 16 ISO-KF		DN 25 ISO-KF		DN 40 ISO-KF		DN 50 ISO-KF	
		Aluminum	Stainl. Steel	Aluminum	Stainl. Steel	Aluminum	Stainl. Steel	Aluminum	Stainl. Steel
Service life	cycles	10 millions							
Conductance at molecular flow	l/s	5	5	14	14	45	45	80	80
Leak rate	mbar x l/s	1 x 10 <sup>-9</sup>							
Operating pressure range	mbar	10 <sup>-8</sup> – 5000							
Differential pressure, closing and opening direction	bar	5 / 2							
Ambient / operating temperature, max.	°C	80							
Seal		FPM							
Closing time / opening time	ms	100 / 100	100 / 100	210 / 120	210 / 120	550 / 250	550 / 250	650 / 400	650 / 400
Switching frequency	1/min	100							
Position indicator, switching capacity									
Voltage	V AC / V DC	≤ 50							
Current	mA	5 – 100							
Power	W	≤ 1,0							
Control valve	V DC / W	24 / 2.5							
Compressed air, overpressure	bar	4 to 8							
Air cylinder, volume	l	0.004	0.004	0.011	0.011	0.035	0.035	0.047	0.047
Compressed air connection	mm	4 and 6							
Weight, with pilot valve	kg	0.3	0.3	0.4	0.5	1.0	1.1	1.4	1.5

## Ordering Information

	DN 16 ISO-KF		DN 25 ISO-KF		DN 40 ISO-KF		DN 50 ISO-KF	
	Aluminum	Stainl. Steel	Aluminum	Stainl. Steel	Aluminum	Stainl. Steel	Aluminum	Stainl. Steel
	Part No.	Part No.	Part No.	Part No.	Part No.	Part No.	Part No.	Part No.
Right-angle valves, bellows sealed								
BAV ... P AL	215 315	-	215 316	-	215 317	-	215 318	-
BAV ... P SS	-	215 335	-	215 336	-	215 337	-	215 338
BAV ... EP AL 24 V AC	215 319	-	215 320	-	215 321	-	215 322	-
BAV ... EP SS 24 V AC	-	215 339	-	215 340	-	215 341	-	215 342
BAV ... EP AL 24 V DC	215 323	-	215 324	-	215 325	-	215 326	-
BAV ... EP AL 24 V DC, normally open	215 395 V01	-	215 394 V01	-	215 130	-	-	-
BAV ... EP SS 24 V DC	-	215 347	-	215 348	-	215 349	-	215 350
BAV ... EP AL 115 V AC	215 327	-	215 328	-	215 329	-	215 330	-
BAV ... EP SS 115 V AC	-	215 351	-	215 352	-	215 353	-	215 354
BAV ... EP AL 230 V AC	215 331	-	215 332	-	215 333	-	215 334	-
BAV ... EP SS 230 V AC	-	215 343	-	215 344	-	215 345	-	215 346
Spare parts								
Bellows feedthrough	E 242 292		E 233 014		E 229 542		E 244 980	
Seal kit consisting of disk seal (O-ring) and head seal (O-ring)	EK 242 324		EK 241 077		EK 241 079		EK 245 556	
Mating plug (included with the valve)	599998003							

# Straight-Through Valves, Bellows-Sealed, (Electro)pneumatically Operated



Dimensional drawing  
for the straight-through valves  
with fitted pilot valve (EP)  
without pilot valve (P)  
(on top DN 16 ISO-KF, stainless steel)  
1) pilot valve

## Dimension Table

DN	ISO-KF	16	25	40	50
A	mm	80	100	130	178
B	mm	40	48	65	77
D	mm	16	25	40	50
L	mm	91.5	100.3	140.9	170.1
Q	mm	46	44	73.5	85.5
E	mm	29.6	30	36.1	37.6
Z	mm	2	4	9.5	10
M	mm	120	125	160	185

## Connection Icons

- ▼ Side of the valve seat
- \* Required clearance
- ☉ Mechanical position indicator
- ⊕ Leak detection bore
- ⊙ Electrical connection
- ⊙ Compressed air connection

## Advantages to the User

- Quiet opening and closing action with very little vibration
- Short opening and closing times
- Optical valve position indicator as standard
- Very low leak rate and insensitive to particles owing to bellows seal – thus always closed in case the compressed air supply fails
- Electric position indicator is standard
- With and without pilot valve as standard
- Protection class IP 50
- Standard electrical and compressed air connections
- The valves are closed by the restoring force of a spring

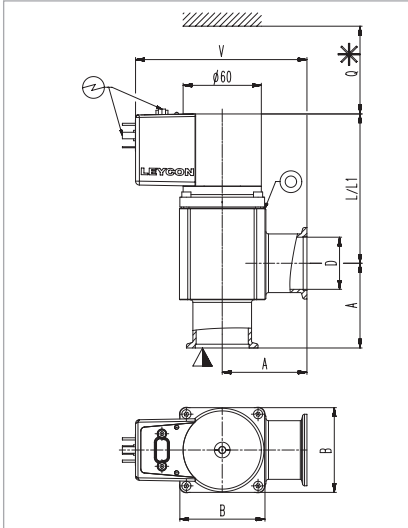
## Technical Data

		DN 16 ISO-KF		DN 25 ISO-KF		DN 40 ISO-KF		DN 50 ISO-KF
		Aluminum	Stainl. Steel	Aluminum	Stainl. Steel	Aluminum	Stainl. Steel	Aluminum
Service life	cycles	10 millions						
Conductance at molecular flow	l/s	5	5	14	14	45	45	80
Leak rate	mbar x l/s	1 x 10 <sup>-9</sup>						
Operating pressure range	mbar	10 <sup>-8</sup> – 5000						
Differential pressure, closing and opening direction	bar	5 / 2						
Ambient / Operating temperature, max.	°C	80						
Seal		FPM (FKM)						
Closing time / opening time	ms	100 / 100	100 / 100	210 / 120	210 / 120	550 / 250	550 / 250	650 / 400
Switching frequency	1/min	100						
Position indicator, switching capacity								
Voltage	V AC / V DC	≤ 50						
Current	mA	5 – 100						
Power	W	≤ 1,0						
Pilot valve	V DC / W	24 / 2.5						
Compressed air, overpressure	bar	4 to 8						
Air cylinder, volume	l	0.004	0.004	0.011	0.011	0.035	0.035	0.047
Compressed air connection	mm	4 and 6						
Weight, with pilot valve	kg	0.3	0.8	0.5	0.5	1.3	1.2	2.2

## Ordering Information

	DN 16 ISO-KF		DN 25 ISO-KF		DN 40 ISO-KF		DN 50 ISO-KF
	Aluminum	Stainl. Steel	Aluminum	Stainl. Steel	Aluminum	Stainl. Steel	Aluminum
	Part No.	Part No.	Part No.	Part No.	Part No.	Part No.	Part No.
Straight-through valve, bellows sealed							
BIV ... P SS	-	<b>215 355</b>	-	<b>215 356</b>	-	<b>215 357</b>	-
BIV ... EP SS 24 V AC	-	<b>215 359</b>	-	<b>215 360</b>	-	<b>215 361</b>	-
BIV ... EP AL 24 V DC	<b>215 314</b>	-	<b>215 391</b>	-	<b>215 392</b>	-	<b>215 393</b>
BIV ... EP SS 24 V DC	-	<b>215 367</b>	-	<b>215 368</b>	-	<b>215 369</b>	-
BIV ... EP SS 115 V AC	-	<b>215 371</b>	-	<b>215 372</b>	-	<b>215 373</b>	-
BIV ... EP SS 230 V AC	-	<b>215 363</b>	-	<b>215 364</b>	-	<b>215 365</b>	-
Spare parts							
Bellows feedthrough	<b>E 242 292</b>		<b>E 233 014</b>		<b>E 229 542</b>		<b>E 244 980</b>
Seal kit consisting of	<b>EK 242 324</b>		<b>EK 241 077</b>		<b>EK 241 079</b>		<b>EK 245 556</b>
Disk seal (O-ring) and							
Head seal (O-ring)							
Mating plug	<b>599998003</b>						
(included with the valve)							

# Right-Angle Valves, Electromagnetically Operated







Dimensional drawing for the electromagnetically operated right-angle valves

## Dimension Table

DN	ISO-KF	16	25	40
A	mm	40	50	65
B	mm	40	48	65
D	mm	16	25	40
L	mm	100	93	114
L1	mm	102.5	103.4	117
Q	mm	46	44	73.5
V	mm	106.5	116.5	131.5

## Connection Icons

-  Side of the valve seat
-  Required clearance
-  Leak detection bore
-  Electrical connection

Electromagnetic valves are particularly well suited for vacuum systems in which the valves need to be remotely controlled and where compressed air is not readily available.

## Advantages to the User

- Selectable operating mode:
  - Remote control via programmable control or personal computer
  - direct operation by switching the supply voltage on and off
- Well visible, unambiguous optical position indicator: open (green LED) and closed (orange LED)
- Integrated electrically floating position indicator (opto-coupler for 48 V DC)
- Optical error indicator (LEDs flash)
- Protection class IP 40
- Spring action closure, thus closed when the power fails
- Low operating temperature
- Installation in any orientation and no restrictions as to the direction of flow

## Technical Data

### DN 16 ISO-KF

### DN 25 ISO-KF

### DN 40 ISO-KF

Service life	cycles	200,000		
Conductance at molecular flow	l/s	5	14	45
Leak rate	mbar x l/s	1 x 10 <sup>-9</sup>		
Operating pressure range	mbar	10 <sup>-8</sup> to 2 bar		
Differential pressure, closing and opening direction	bar	≤ 2		
Ambient / Operating temperature, max.	°C	0 to +50		
Closing time / opening time	s	0.2		
Switching frequency at ambient temperature	1/min °C	15 20		
Rating, max.	V AC/DC	48		
Rating for the valve position indicator, max.	mA	500		
Power consumption, max.				
Actuation	W	700 (~100 ms)		
Hold	W	10		
Supply voltage, max.	V AC	100 – 115 / 200 – 240		
Frequency	Hz	50/60 Hz		
Protection class	IP	40		
Weight	kg	1.3	1.5	1.8

## Ordering Information

### DN 16 ISO-KF

### DN 25 ISO-KF

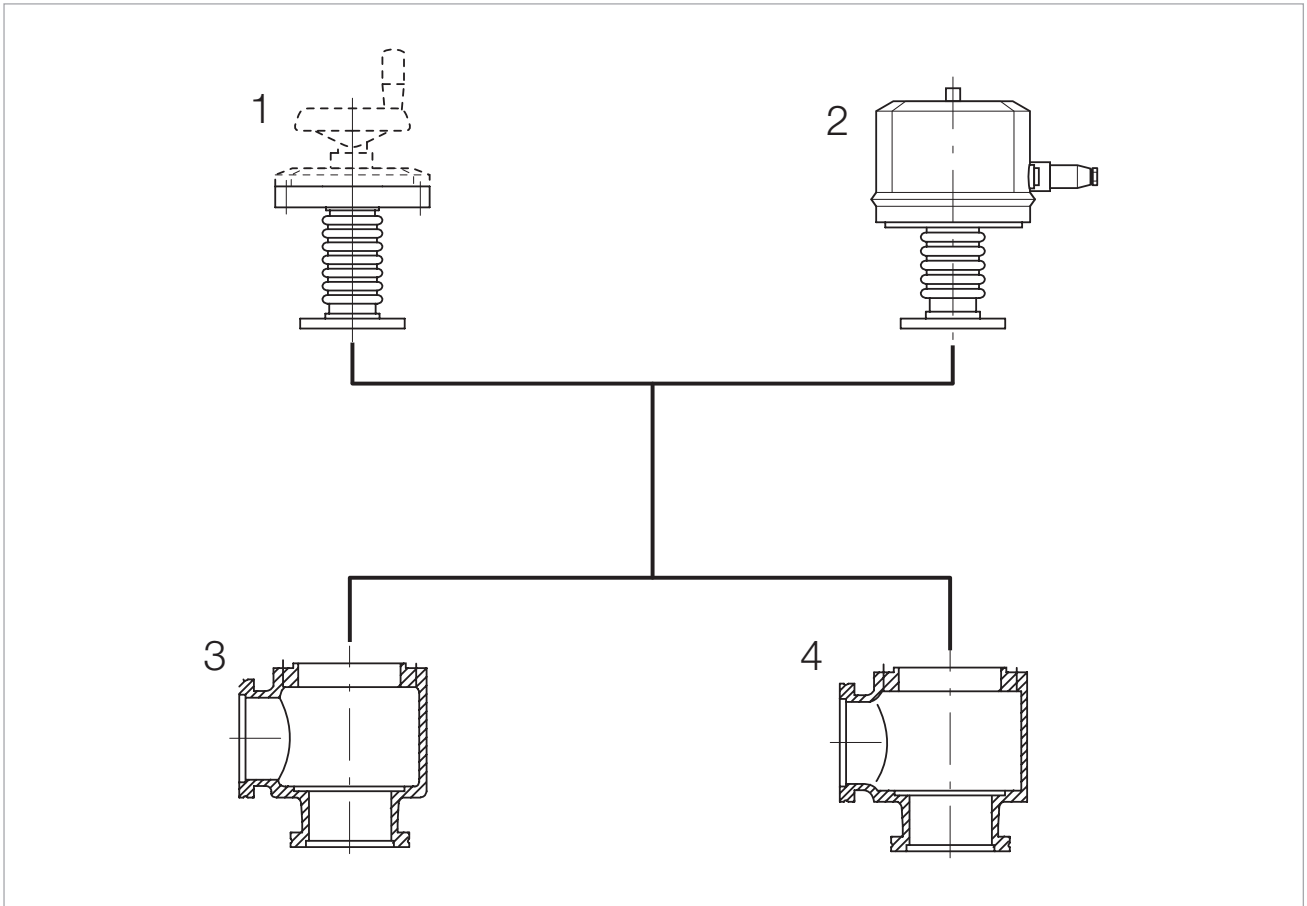
### DN 40 ISO-KF

	Part No.	Part No.	Part No.
Right-angle valve, bellows-sealed, electromagnetic actuator, microprocessor controlled			
BAV ... EM AL			
100-120 V, 50/60 Hz	<b>215 004 V02</b>	<b>215 064 V02</b>	<b>215 124 V02</b>
200-240 V, 50/60 Hz	<b>215 004 V01</b>	<b>215 064 V01</b>	<b>215 124 V01</b>
BAV ... EM SS			
100-120 V, 50/60 Hz	<b>215 006 V02</b>	<b>215 079 V02</b>	<b>215 134 V02</b>
200-240 V, 50/60 Hz	<b>215 006 V01</b>	<b>215 079 V01</b>	<b>215 134 V01</b>
Spare parts			
Seal kit	<b>EK 396 788</b>	<b>EK 388 499</b>	<b>EK 388 450</b>



# Right-Angle Valves with ISO-K Flanges

## Overview



Leybold valves with ISO-K flanges are available with any of two drives and either of two bodies.

Types of drive

- Handwheel **(1)**
- Electropneumatic drive **(2)**

Body types

- Right-angle valve with aluminum body **(3)**
- Right-angle valve with stainless steel body **(4)**

### Advantages to the User

- Full exchangeability of the subassemblies
- Two types of drive
- Two body options
- Standard nominal widths to DIN 28 404 and ISO 1609
- Simplified stocking of spare parts

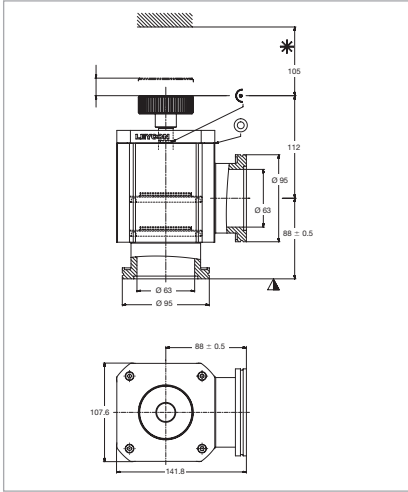
### Connection Pictograms

- Position indicator connection
- ⓘ Compressed air connection
- ⚡ Power connection
- Position indicator

Nominal widths DN 63 ISO-K and DN 100 ISO-K are available in aluminum and stainless steel, DN 160 ISO-K in aluminum only.

Nominal width DN 100 ISO-K only with pneumatic or electropneumatic drive.

# Right-Angle Valves, Bellows-Sealed, Manually Operated



Dimensional drawing for the right-angle valves, bellows-sealed, manually operated, dimensions in mm

The universal valves are particularly well suited for systems where remote control is not mandatory. Moreover, the valves may be used for maintenance purposes in connection with backing pumps or condensate separators.

## Advantages to the User

- Removable handle
- Modular design
- Rugged and compact
- Easy to clean
- Gentle venting of systems
- Seal in both directions up to a pressure difference of 1.5 bar
- Easy manual operation, for an effortless vacuum-tight seal
- May also be used as a variable leak valve to roughly control gas flows
- Installation in any orientation and no restrictions as to the direction of flow

## Technical Data

## DN 63 ISO-KF

Service life	cycles	3 millions
Conductance at molecular flow	l/s	160
Leak rate	mbar x l/s	$1 \times 10^{-9}$
Operating pressure range	mbar	$1 \times 10^{-9}$ to 5000 (abs.)
Differential pressure, closing and opening direction	bar	$< 5 / < 2$
Opening against differential pressure	bar	$< 1$ in both directions
Ambient / Operating temperature, max.	°C	80
Seal		FPM (Viton)
Weight		
Aluminum body	kg	2.9
Stainless steel body	kg	2.8
Material		
Valve body		aluminum (AlMgSi) or stainless steel AISI 304 (1.4301, 1.4305)
Disk		stainless steel AISI 316L (1.4404, 1.4435)
Bellows		stainless steel AISI 316L (1.4404, 1.4435), 316 Ti (1.4571)

## Ordering Information

## DN 63 ISO-KF

	Part No.
Right-angle valve, bellows-sealed, manually operated	
Aluminum body	<b>107 80 V01</b>
Stainless steel body	<b>107 83 V01</b>



# Right-Angle Valves, Bellows-Sealed, Manually Operated

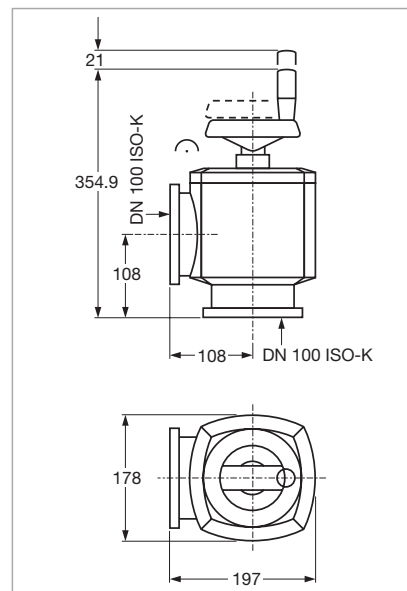


These universal valves are ideal especially for smaller systems, where remote control is not essential.

They may be also installed in larger systems, where backing pumps or condensate separators or similar units are to be cut off at longer intervals for maintenance purposes by maintenance personnel.

### Advantages to the User

- Gentle venting of systems
- Seal in both directions up to a pressure difference of 1.5 bar
- Easy manual operation, for an effortless vacuum-tight seal
- May also be used as a variable leak valve to roughly control gas flows
- Installation in any orientation and no restrictions as to the direction of flow



Dimensional drawing (all dimensions in mm)

### Technical Data

### DN 100 ISO-KF

Service life	cycles	10,000
Conductance at molecular flow	l/s	440
Leak rate	mbar x l/s	$1 \times 10^{-9}$
Operating pressure range	mbar	$1 \times 10^{-8}$ to 2000
Differential pressure, closing and opening direction	bar	opening direction $\leq 1,2$ closing direction $\leq 2$
Opening against differential pressure at the valve disk	bar	$< 1$
Ambient / Operating temperature, max.	°C	80
Seal		FPM (Viton)
Weight		
Aluminum body	kg	6.0
Stainless steel body	kg	6.5
Material		
Valve body		aluminum EN AL 42000 or stainless steel (1.4404)
Drive		aluminum
Disk		stainless steel (1.4404)
Bellows		stainless steel (1.4571)
Handwheel		plastic

### Ordering Information

### DN 100 ISO-KF

	Part No.
Right-angle valve, bellows-sealed, manually operated	
Aluminum body	<b>107 81 V01</b>
Stainless steel body	<b>107 84 V01</b>

# Right-Angle Valves, Bellows-Sealed, Electropneumatically Operated

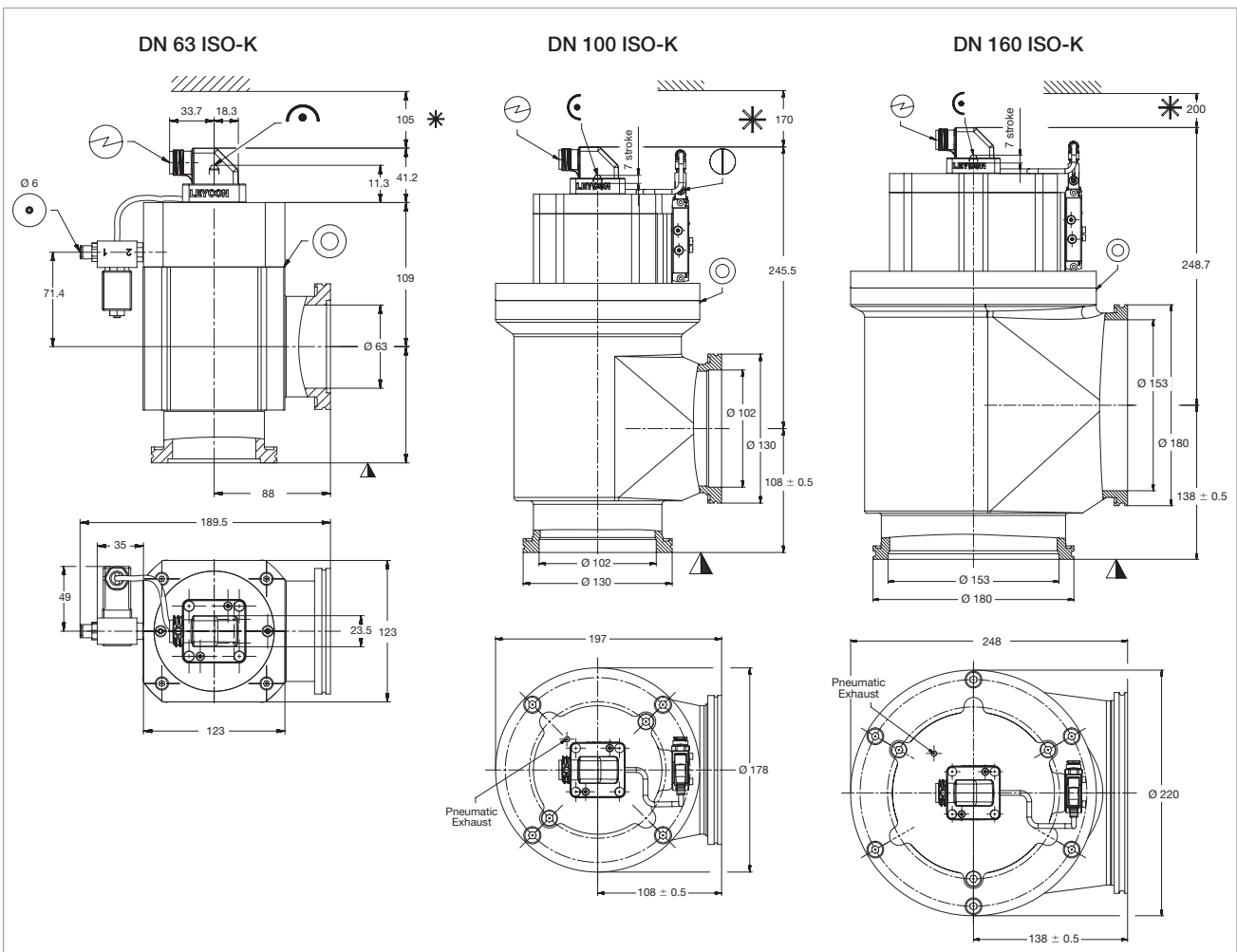


Electropneumatically actuated right-angle valves, bellows sealed, stainless steel, DN 100 ISO-K (left), aluminum DN 160 ISO-K (right)

Electropneumatically actuated right-angle valves are used in automated vacuum systems which need to be controlled electrically.

### Advantages to the User

- Pneumatic or electropneumatic opening
- Short opening and closing times
- Optical position indicator
- Electric position indicator
- With and without pilot valve IP 54
- Protection class IP 50
- The valves are closed by the restoring force of a spring
- Installation in any orientation and no restrictions as to the direction of flow



Dimensional drawing (all dimensions in mm)

## Technical Data

### DN 63 ISO-K

### DN 100 ISO-K

### DN 160 ISO-K

Service life	cycles	1 million		
Conductance at molecular flow	l/s	160	440	1000
Leak rate	mbar x l/s	1 x 10 <sup>-9</sup>		
Operating pressure range	mbar	1 x 10 <sup>-8</sup> to 5000 (abs.)	1 x 10 <sup>-8</sup> to 2000 (abs.)	1 x 10 <sup>-8</sup> to 2000 (abs.)
Differential pressure, closing and opening direction	bar	≤ 4 / ≤ 1,2	≤ 2 / ≤ 1,2	≤ 2 / ≤ 1,2
Opening against differential pressure at the valve disk	bar	≤ 1		
Ambient / operating temperature, max.	°C	80		
Seal		FKM (Viton)		
Closing time / opening time	s	≤ 1	≤ 1	≤ 1,5
Switching frequency	1/min	≤ 30	≤ 30	≤ 20
Position indicator, rating	V AC/DC mA	≤ 50 5 to 100		
Compressed air, overpressure	bar	4 to 8	4,5 to 7	4,5 to 7
Druckluftvolumen	cm <sup>3</sup>	112	330	650
Compressed air connection	mm	6		
Weight				
Aluminum housing	kg	3.9	9	14
Stainless steel housing	kg	3.7	9	-

## Ordering Information

### DN 63 ISO-K

### DN 100 ISO-K

### DN 160 ISO-K

	Part No.	Part No.	Part No.
Right-angle valve, bellows-sealed, electropneumatic drive without Pilot valve			
Aluminum housing	<b>107 90 V01</b>	<b>107 91 V01</b>	<b>107 92 V01</b>
Stainless steel body	<b>107 93 V01</b>	<b>107 94 V01</b>	-
Valve with Pilot valve 24 V DC			
Aluminum housing	<b>108 00 V01</b>	<b>108 01 V01</b>	<b>108 02 V01</b>
Stainless steel body	<b>108 10 V01</b>	<b>108 11 V01</b>	-
Valve with Pilot valve 24 V AC			
Aluminum housing	<b>108 03 V01</b>	<b>108 04 V01</b>	<b>108 05 V01</b>
Stainless steel body	<b>108 13 V01</b>	-	-
Valve with Pilot valve 100 – 115 V AC			
Aluminum housing	<b>108 20 V01</b>	<b>108 21 V01</b>	<b>108 22 V01</b>
Stainless steel body	-	-	-
Valve with Pilot valve 200 – 240 V AC			
Aluminum housing	<b>108 25 V01</b>	<b>108 26 V01</b>	<b>108 27 V01</b>
Stainless steel body	<b>108 35 V01</b>	<b>108 36 V01</b>	-
Mating plug (included with the valve)	<b>599998003</b>		

# Special Valves with ISO-KF/ISO-K/CF Flange

## Overview



Leybold offers a range of special valves for a variety of different applications and to meet special design requirements of customers.

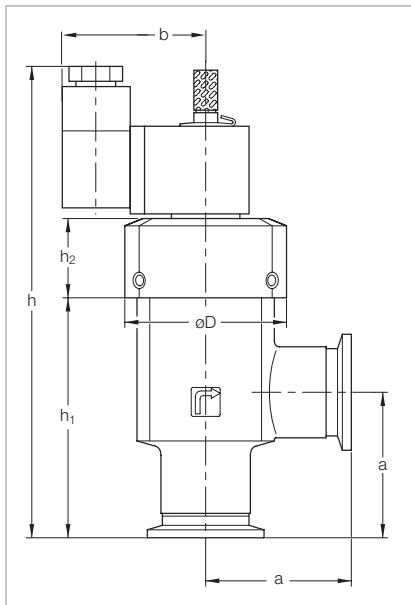
### Among these are:

- SECUVAC vacuum safety valves (DN 16 ISO-KF to DN 100 ISO-K) **1**
- Venting Valves **2**

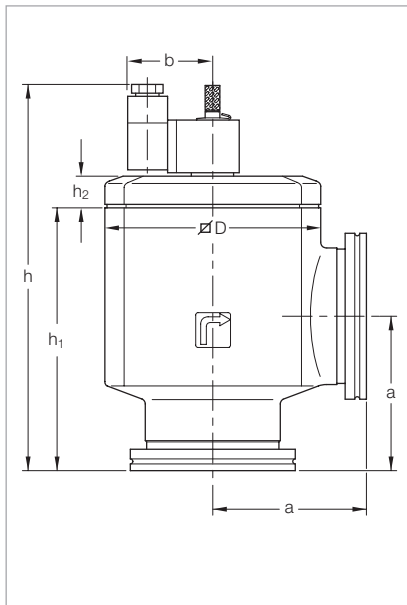
- Power failure venting valves **3**
- Vacuum Locks **4**
- Sealing Valves **4**
- Variable leak valves **5**
- Ball Valves **6**

These valves ideally supplement our range of ISO-KF and ISO-K valves.

# SECUVAC Vacuum Safety Valves



Dimensional drawing for the SECUVAC valves with ISO-KF small flanges



Dimensional drawing for the SECUVAC valves with ISO-K clamp flanges

These solenoid right-angle valves were specially developed for use with rotary vacuum pumps which are not equipped with a built-in anti-suckback valve. The SECUVAC safety valve protects the vacuum system against unplanned venting via the backing pump in case of a power failure and it ensures that the vacuum system remains sealed until the backing pump, after it has restarted, has evacuated the connecting lines.

## Dimension Table Special Valves (ISO-KF)

DN	ISO-KF	16	25	40
a	mm	40	50	65
b	mm	49	49	49
D	mm	44	56	82
h	mm	138.6	161.8	177.8
h <sub>1</sub>	mm	62.3	82.5	101.7
h <sub>2</sub>	mm	24	27	24,3

## Dimension Table Special Valves (ISO-K)

DN	ISO-K	63	100
a	mm	88	108
b	mm	49	49
D	mm	124	164
h	mm	220.5	263.5
h <sub>1</sub>	mm	150	175
h <sub>2</sub>	mm	18.2	36.2

## Advantages to the User

Two valve functions in one:

- Fast-closing high vacuum isolation valve for separating the vacuum chamber or a vapor jet pump (a diffusion pump, for example) from the backing pump
- Venting valve for venting of the valve's chamber and thus the pump (backing pump)
- Immediate closing action upon power failure
- Opening action only after the in-take line has been evacuated
- Delayed isolation of the vacuum chamber and venting the vacuum pump (negligible "gulp")

## Typical Applications

- Safety isolation valve between backing pump and vacuum chamber or vapor jet pumps (protection of the vacuum chamber against venting in the event of a power failure)

**Technical Data****SECUVAC Valve**

		<b>DN 16 ISO-KF</b>	<b>DN 25 ISO-KF</b>	<b>DN 40 ISO-KF</b>
Conductance at molecular flow	l/s	3.8	11	30.5
Current consumption DC	W	2,5		
Actuation / holding AC	VA	5 / 3.7		
Leak tightness, body	mbar x l/s	< 1 x 10 <sup>-9</sup>		
Leak tightness, valve disk	mbar x l/s	< 1 x 10 <sup>-5</sup>		
Installation orientation		any		
Operating pressure range	mbar	1 x 10 <sup>-8</sup> to 1000		
Differential pressure for opening	mbar	150		
for closing	mbar	150		
Opening time	s	< 15		
Closing time / reaction time	ms	< 100 / < 50		
Ambient temperature	°C	+5 to +50		
Protection	IP	65		
Weight	kg	0.3	0.5	0.9
Material Body		aluminum		
Seal		FPM (FKM)		

**Technical Data****SECUVAC Valve**

		<b>DN 63 ISO-K</b>	<b>DN 100 ISO-K</b>
Conductance at molecular flow	l/s	126	300
Current consumption DC	W	2.5	
Actuation / holding AC	VA	5 / 3.7	
Leak tightness, body	mbar x l/s	< 1 x 10 <sup>-9</sup>	
Leak tightness, valve disk	mbar x l/s	< 1 x 10 <sup>-5</sup>	
Installation orientation		any	
Operating pressure range	mbar	1 · x 10 <sup>-8</sup> to 1000	
Differential pressure for opening	mbar	150	
for closing	mbar	150	
Opening time	s	< 30	
Closing time / reaction time	ms	< 100 / < 50	
Ambient temperature	°C	+5 to +50	
Protection	IP	65	
Weight	kg	2.4	5.1
Material Body		aluminum	
Seal		FPM (FKM)	

## Ordering Information

## SECUVAC Valve

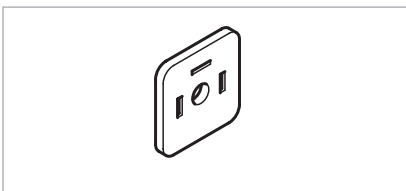
	DN 16 ISO-KF	DN 25 ISO-KF	DN 40 ISO-KF
	Part No.	Part No.	Part No.
SECUVAC valve			
24 V DC	<b>215 015</b>	<b>215 065</b>	<b>215 135</b>
100 – 115 V AC	<b>215 016</b>	<b>215 066</b>	<b>215 136</b>
200 – 230 V AC	<b>215 017</b>	<b>215 067</b>	<b>215 137</b>
Spare parts			
Seal kit	<b>E 105 02</b>	<b>E 105 04</b>	<b>E 105 05</b>
Solenoid coils for SECUVAC valves and power failure venting valves			
24 V DC		<b>E 215 242</b>	
100 – 115 V AC / 50/60 Hz		<b>E 215 241</b>	
200 – 230 V AC / 50/60 Hz		<b>E 215 240</b>	
Filter for SECUVAC valves and power failure venting valves (set of 5 pcs.)		<b>215 701</b>	

## Ordering Information

## SECUVAC Valve

	DN 63 ISO-K	DN 100 ISO-K
	Part No.	Part No.
SECUVAC valve		
24 V DC	<b>215 205</b>	<b>215 225</b>
100 – 115 V AC	<b>215 206</b>	-
200 – 230 V AC	<b>215 207</b>	<b>215 227</b>
Spare parts		
SSeal kit	<b>E 105 07</b>	<b>E 105 08</b>
Solenoid coils for SECUVAC valves and power failure venting valves		
24 V DC		<b>E 215 242</b>
100 – 115 V AC / 50/60 Hz		<b>E 215 241</b>
200 – 230 V AC / 50/60 Hz		<b>E 215 240</b>
Filter for SECUVAC valves and power failure venting valves (set of 5 pcs.)		<b>215 701</b>

# Interference Suppression Kit – Illuminated



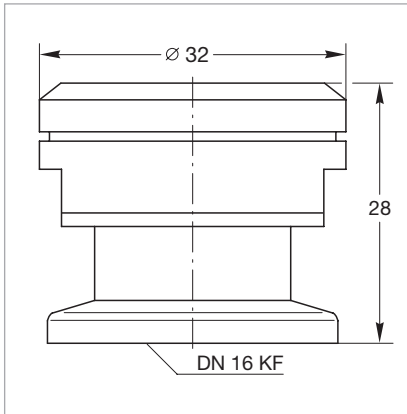
As an option for the solenoid coil, an interference suppression kit is offered which reliably prevents any interferences from affecting other equipment operating in the vicinity.

## Ordering Information

## Interference Suppression Kit

	Part No.
Interference suppression kit	
24 V DC	<b>104 96</b>

# Pressure Relief Valve



Dimensional drawing for the pressure relief valve

## Typical Applications

- Protecting sealed vacuum systems like cryopumps, cryostats, lifting devices, for example against internal overpressures
- Mandatory for systems which are separated when cold, as a means of protection against overpressures

## Technical Data

## Pressure Relief Valve

Responding pressure	mbar	1150 ±40
Flow at 140 mbar	l x h <sup>-1</sup>	500
Valve disk		Spring loaded, with O-ring seal
Leak rate in the closed state	mbar x l/s (Torr x l/s)	< 1 x 10 <sup>-8</sup> (< 0.75 x 10 <sup>-8</sup> )
Connection	DN	16 ISO-KF
Diameter	mm	32
Overall height	mm	28
Weight	kg	0.3

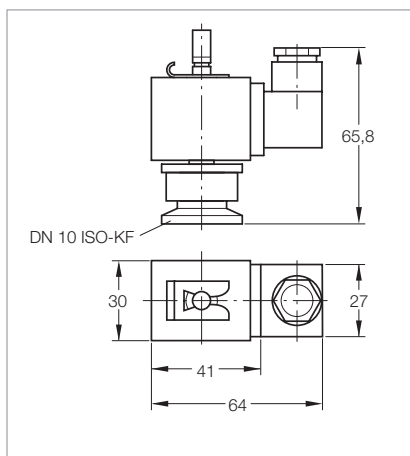
## Ordering Information

## Pressure Relief Valve

	Part No.
Pressure Relief Valve on DN 16 ISO-KF flange	<b>890 39</b>



# Power Failure Venting Valves, Electromagnetically Actuated



Dimensional drawing for the power failure venting valve

Power failure venting valves are open when de-energized and are used to automatically vent pumps, systems or vacuum vessels in the event of a power failure.

Permissible pressure difference < 2.5 bar (0 bar on the vacuum side).

## Advantages to the User

- Can be installed in any orientation
- Protection against being contaminated by filtering of the inflowing air
- Easy to install
- Simple filter exchange

## Technical Data

## Power Failure Venting Valves electromagnetically actuated

Leak tightness	mbar x l/s	< 1 x 10 <sup>-7</sup>
Venting time for a 50 l vessel	s	270
Opening time / closing time <sup>1)</sup>	ms	30 / 30
Protection class to DIN 40 050	IP	65
Permissible ambient temperature	°C	50
Weight	kg	0.1
Dimensions (W x H x D)	mm	64 x 66 x 30
Material		
Body		aluminum
Seal		NBR
Armature		brass
Filter		bronze

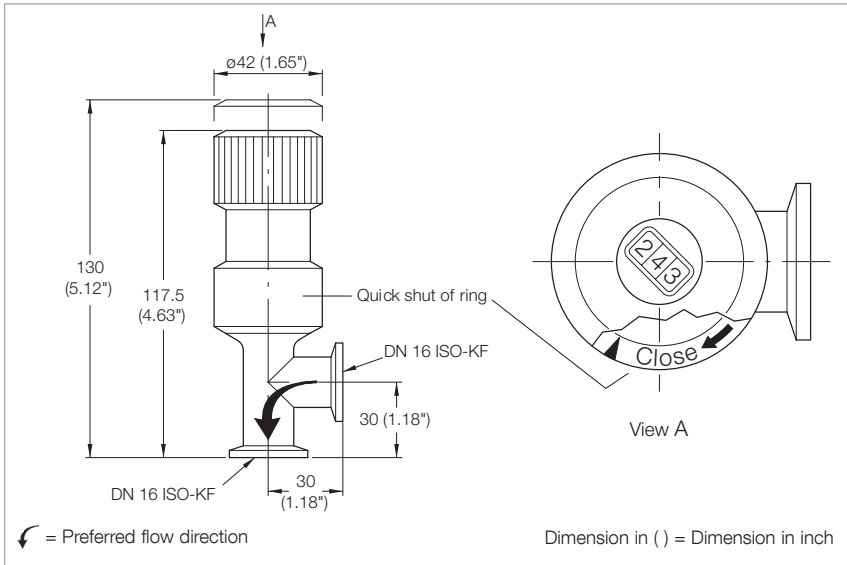
## Ordering Information

## Power Failure Venting Valves electromagnetically actuated

	Part No.
Power failure venting valve DN 10 ISO-KF, electromagnetically actuated, with inlet filter	
230 V / 50/60 Hz	<b>174 26</b>
24 V DC	<b>174 46</b>
Centering ring DN 10 ISO-KF with sinter filter	<b>883 50</b>
Spare solenoid valves	see SECUVAC Valves
Filter for SECUVAC valves and power failure venting valves (set of 5 pcs.)	<b>215 701</b>

<sup>1)</sup> At a differential pressure  $V_p = 0$  bar

# Variable Leak Valve with Isolation Valve

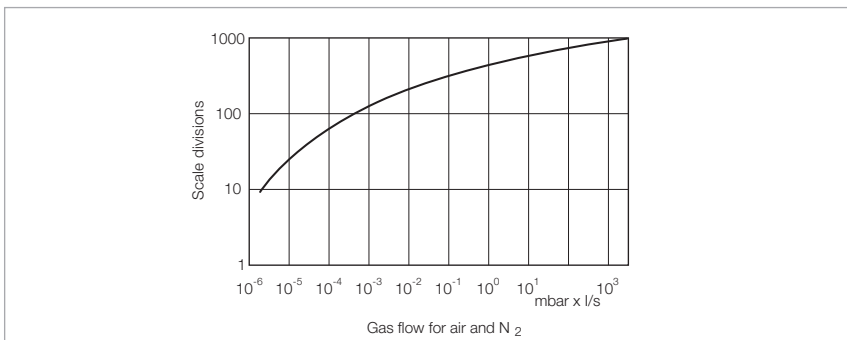


Dimensional drawing for the variable leak valve with isolation valve

Variable leak valves with a isolation valve permit an interruption of the gas supply without changing the gas admission rate setting.

## Applications

- Gas admission rates of 1000 to  $5 \times 10^{-6}$  mbar x l/s allow variable leak valves to be used in almost all applications
- Through the digital display, the opening point may be accurately set at any time or a certain gas flow may be defined
- Blocking valve



Variable leak characteristic for the variable leak valve with isolation valve

## Technical Data

## Variable Leak Valve with Isolation Valve

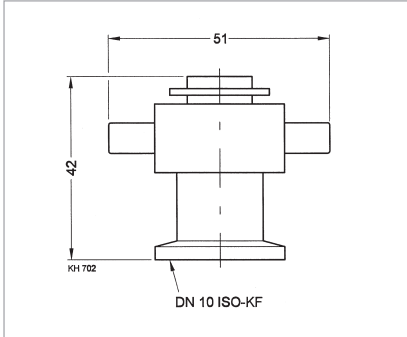
Gas flow controllable	mbar x l/s	$5 \times 10^{-6} - 1000$
Tightness	mbar x l/s	$1 \times 10^{-9}$
Differential pressure	bar	2.5
Dead volume	cm <sup>3</sup>	0.032
Operating temperature	°C	80
Bakeout temperature, flanges	°C	150
Material (housing, needle, filter)		stainless steel
Material (needle sleeve)		fluorplastomer
Seal		FPM (FKM)
Weight	kg	0.4

## Ordering Information

## Variable Leak Valve with Isolation Valve

	Part No.
Variable leak valve with isolation valve, DN 16 ISO-KF	<b>215 010</b>

# Venting Valves, Manually Operated



Venting valves are used to vent small vacuum systems.

## Advantages to the User

- Simple opening and closing of the valve by loosening or tightening the screw cap

Dimensional drawing for the venting valve, manually operated

## Technical Data

## Venting Valve manually operated

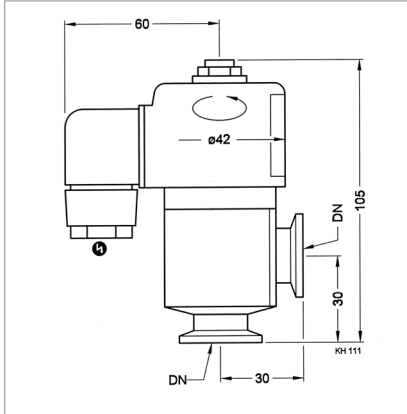
Tightness	mbar x l/s	< 1 x 10 <sup>-9</sup>
Weight	kg	0.15
Dimensions (W x H x D)	mm	51 x 42 x 30
Material		
Body		aluminum (3.0615), stainless steel (1.4301)
Inside section		aluminum (3.0615), stainless steel (1.4301)
Seal		FPM (FKM)
Screw cap		brass (nickel-plated)

## Ordering Information

## Venting Valve manually operated

	Part No.
Venting valve DN 10 ISO-KF, manually operated (screw cap)	
Aluminum	<b>173 24</b>
Stainless steel	<b>173 37</b>

# Venting Valves, Electromagnetically Actuated



Dimensional drawing for the venting valve,  
electromagnetically actuated

Venting valves are used to vent small vacuum systems and are closed when no power is applied.

## Advantages to the User

- Open when power is applied, closed with no power
- Seals on one side against atmospheric pressure
- Protected against dirt by a filter

## Technical Data

## Venting Valve electromagnetically actuated

Leak rate	mbar x l/s	< 1 x 10 <sup>-9</sup>
Venting time for a 100 l chamber	s	23
Mains connection	V / Hz	230 / 50/60
	V / Hz	115 / 50/60
	V DC	24
Power consumption, actuation / holding	V	35 / 15
Differential pressure in closing / opening direction	bar	5 / 1
Can be opened to a pressure difference of	bar	2
Service life	cycles	1.5 mio.
Switching frequency	1/min	50
Opening / closing time	ms	60 / 45
Conductance for molecular flow	l/s	1
Weight	kg	0.46
Dimensions (W x H x D)	mm	105 x 120 x 42
Material		
Valve body		aluminum
Seal		FPM (FKM)

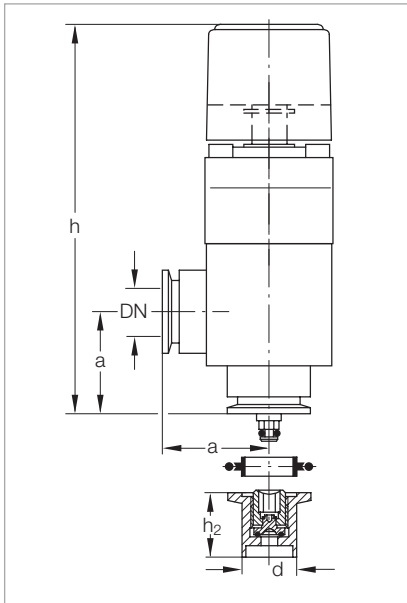
## Ordering Information

## Venting Valve electromagnetically actuated

	Part No.
Venting valve DN 10 ISO-KF, electromagnetically actuated	
24 V DC	<b>215 021</b>
115 V AC	<b>215 023</b>
230 V AC	<b>215 024</b>
Centering ring with sintered metal filter, DN 10 ISO-KF	<b>883 50</b>



# Vacuum Locks and Sealing Valves



Dimensional drawing for the sealing valves

## Dimension Table

DN	ISO-KF	16	25	40
a	mm	40	50	65
d	mm	16	25	38
h	mm	124	160	190
h <sub>2</sub>	mm	30	30	40

A screw-in sealing element with a hex. socket into which the spindle of the gas lock is inserted for actuation has been integrated within the tubulation.

After having filled in the gas or evacuated the chamber, the gas lock is detached from the small flange and may thus be reused for an unlimited number of times on other sealing valves.

### Advantages to the User

- Simple to use, handy knob
- Compact, low weight
- Also well-suited for operating older types of sealing valves from Leybold
- Long travel and high conductance, thus short pumpdown times
- Spindle can be arrested in its end position
- Double O-ring seal offering a very low leak rate ( $< 1 \times 10^{-7}$  mbar x l/s) and a long service life

- May be used in the entire rough and medium vacuum range
- Long service life
- Secured against inadvertent opening
- Temperature resistant
 

Vacuum lock	60 °C
Blocking valve	100 °C
- May be protected by a standard blank flange against becoming dirty

### Typical Applications

- Sealing of evacuated or gas-filled chambers
- Post-evacuation of vessels
- Topping up and exchanging the gas filling in vessels
- Sealing valves with stainless steel ISO-KF connection and stainless steel tubulation for welding to the chamber

## Technical Data

### Vacuum Lock / Sealing Valve

#### DN 16 ISO-KF

#### DN 25 ISO-KF

#### DN 40 ISO-KF

Leak rate				
Sealing valve	mbar x l/s	1 x 10 <sup>-7</sup>		
Vacuum lock	mbar x l/s	1 x 10 <sup>-9</sup>		
Travel for the vacuum lock	mm	56	76	108
Free passage in the sealing valve	mm	3	8	18
Absolute pressure	bar	2.5		
Weight				
Vacuum lock	kg	0.35	1.0	1.8
Sealing valve	kg	0.04	0.1	0.12
Material				
Vacuum lock		aluminum		
Seal		FPM (FKM)		

## Ordering Information

### Vacuum Lock / Sealing Valve

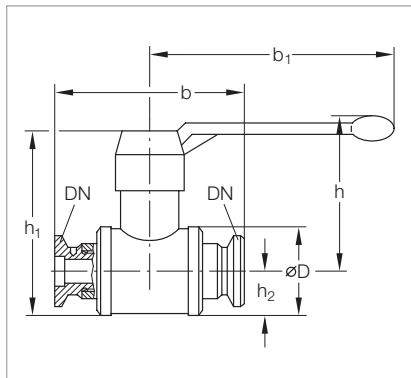
#### DN 16 ISO-KF

#### DN 25 ISO-KF

#### DN 40 ISO-KF

	Part No.	Part No.	Part No.
Vacuum lock, aluminum body	<b>283 25</b>	<b>283 26</b>	<b>283 27</b>
Sealing valve with tubulation, stainless steel body	<b>283 21</b>	<b>283 22</b>	<b>283 23</b>
Clamping ring	<b>183 41</b>	<b>183 42</b>	<b>183 43</b>
Centering ring	<b>883 46</b>	<b>883 47</b>	<b>883 48</b>
Repair kit			
Vacuum lock	<b>EK 215 055</b>	<b>EK 215 056</b>	<b>EK 215 057</b>

# Ball Valves



Dimensional drawing for the ball valves

## Dimension Table

DN	ISO-KF	10	16	25	40
<b>b</b>	mm	75	100	130	160
<b>b<sub>1</sub></b>	mm	80	80	110	138
<b>h</b>	mm	55	55	62	90
<b>h<sub>1</sub></b>	mm	55	58	80	110
<b>h<sub>2</sub></b>	mm	15	15	20	27.5
<b>D</b>	mm	26	30	42	60

Ball valves are rugged and cost-effective straight-through valves of small size, which are opened or closed simply by operating a lever. The valve position (OPEN/CLOSED) can be determined from the lever's position. The lever may be detached.

Ball valves are provided with lubricated gaskets and when open they permit an unobstructed passage.

## Advantages to the User

- Leak tight on both sides against the atmosphere; can be opened against atmospheric pressure

## Technical Data

### Ball Valve

#### DN 10 ISO-KF    DN 16 ISO-KF    DN 25 ISO-KF    DN 40 ISO-KF

Leak rate	mbar x l/s	$< 1 \times 10^{-6}$			
Conductance at molecular flow	l/s	1,5	3	9	30
Pressure absolute, min. / max.	mbar / bar	$10^{-5} / 5$			
Weight	kg	0.35	0.4	0.75	2.6
Material					
Body		brass (nickel-plated)			
Seal		PTFE			
Ball		brass (hardchromium-plated)			
ISO-KF flanges		aluminum (3.0615)			

## Ordering Information

### Ball Valve

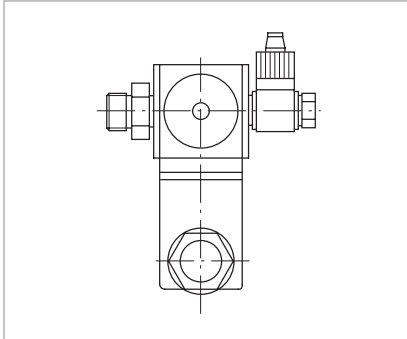
#### DN 10 ISO-KF    DN 16 ISO-KF    DN 25 ISO-KF    DN 40 ISO-KF

	Part No.	Part No.	Part No.	Part No.
Ball valve				
Brass body (nickel-plated)	<b>174 94</b>	<b>174 95</b>	<b>174 96</b>	<b>174 97</b>



# Accessories for the Electropneumatically Operated Valves

## Pilot Valves



Pilot valve

A range of pilot valves is available for actuation of the electropneumatic ISO-KF valves, which cover all commonly used control voltages.

### Advantages to the User

- Easy to fit to the pneumatic cylinder, adaptor is included with the DOT valve

### Supplied Equipment

- Hose connection and gasket for connection to the compressed air supply

### Ordering Information

### ISO-KF Pilot Valves for DOT Valves (incl. Solenoid Coil)

	Part No.
110 – 120 V AC / 50/60 Hz (normally closed)	E 280 72
24 V DC (normally closed)	E 280 74

## Interference Suppression Kit – Illuminated

As an option for the solenoid coil and the pilot valves an interference suppression kit is offered so as to reliably prevent any pick-up of interference by sensitive equipment in the vicinity of the solenoid coils.

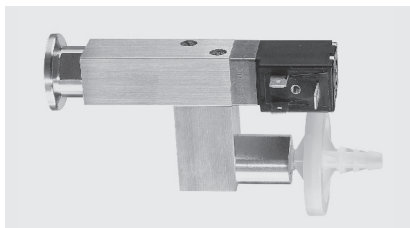
### Ordering Information

### Interference Suppression Kit for different voltages

	Part No.
Interference Suppression Kit 110 V AC	upon request

# Special Valves for Turbomolecular Pumps

## Solenoid Venting Valve



### Technical Data

Drive voltage	V DC	24
Power consumption	W	4
Connecting flange	DN	16 ISO-KF
Weight, approx.	kg (lbs)	0.3 (0.66)

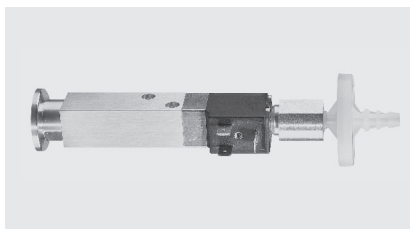
### Venting Valve

### Ordering Information

### Venting Valve

	Part No.
Solenoid venting valve, normally closed	<b>800120V0011</b>

## Power Failure Venting Valve



### Technical Data

Drive voltage	V DC	24
Power consumption	W	4
Connecting flange	DN	16 ISO-KF
Weight, approx.	kg (lbs)	0.3 (0.66)

### Power Failure Venting Valve

### Ordering Information

### Power Failure Venting Valve

	Part No.
Power failure venting valve, normally open	<b>800120V0021</b>

## Purge Gas and Venting Valve



### Technical Data

Connecting flange	DN	10 ISO-KF
Weight, approx.	kg (lbs)	0.7

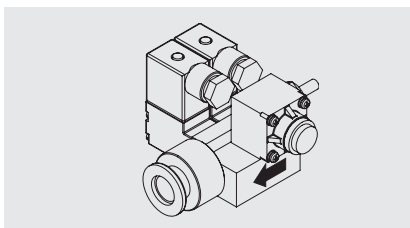
### Purge Gas and Venting Valve

### Ordering Information

### Purge Gas and Venting Valve

	Part No.
Purge gas and venting valve, 230 V 0.2 mbar x l/s (12 sccm)	<b>855 19</b>
0.4 mbar x l/s (24 sccm)	<b>855 29</b>

## Purge Gas and Venting Valve



### Technical Data

Connecting flange		
Inlet		1/4" tube
Outlet		pump specific or DN 16 ISO-KF
Sperrgas-Druck, abs.	bar	1.5 to 6.0
Weight, approx.	kg (lbs)	0.5 (1.1)

### Purge Gas and Venting Valve

### Ordering Information

### Purge Gas and Venting Valve

	Part No.
Purge gas and venting valve 24 V DC; 0.6 mbar x l/s	<b>121 33</b>

Further 0.6 mbar x l/s valves upon request

## Purge Gas and Venting Valve for ClassicLine and SL Pumps



### Technical Data

Connecting flange		
Pump side	DN	10 KF
Gas connection	G	1/4"
Seal gas pressure, abs.	bar	1
Weight, approx.	kg (lbs)	0.3 (0.66)

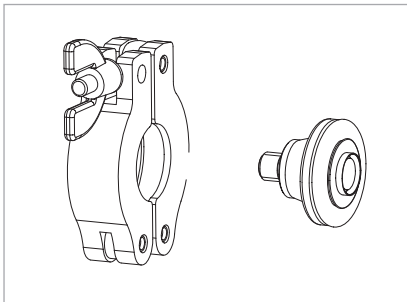
### Purge Gas and Venting Valve

### Ordering Information

	Part No.
Purge gas and venting valve at 1 bar	
0.2 mbar x l/s (12 sccm), 110 – 115 V DC	<b>800152V0041</b>
0.2 mbar x l/s (12 sccm), 230 V DC	<b>800152V0019</b>
0.4 mbar x l/s (24 sccm), 24 V DC	<b>800152V0013</b>
0.4 mbar x l/s (24 sccm), 110 – 115 V DC	<b>800152V0042</b>
0.4 mbar x l/s (24 sccm), 230 V DC	<b>800152V0014</b>
0.6 mbar x l/s (36 sccm), 24 V DC	<b>800152V0012</b>
0.6 mbar x l/s (36 sccm), 110 – 115 V DC	<b>800152V0043</b>
0.6 mbar x l/s (36 sccm), 230 V DC	<b>800152V0040</b>

### Purge Gas and Venting Valve

## Adaptor Set for Seal Gas and Venting Valve for the SL pumps



### Technical Data

Pump flange adaptor M8/DN 10 ISO-KF including adaptor centering ring DN 10/DN 16 ISO-KF with sinter filter insert and clamping ring
---

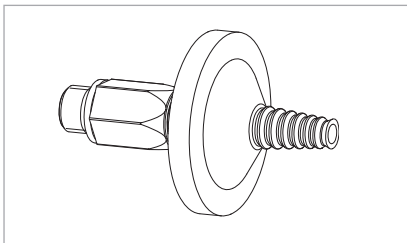
### Adaptor Set

### Ordering Information

	Part No.
Adaptor set for purge gas and venting valve	<b>800110V0011</b>

### Adaptor Set

## Gas Filter to G 1/4" for Purge Gas and Venting Valve



### Technical Data

Gas filter including fitting G 1/4" and 2 gaskets
---

### Gas Filter

### Ordering Information

	Part No.
Gas filter to G 1/4" for seal gas and venting valve	<b>800110V0012</b>
Replacement filter for gas filter to G 1/4" for seal gas and venting valve	<b>E 200 18 515</b>

### Gas Filter

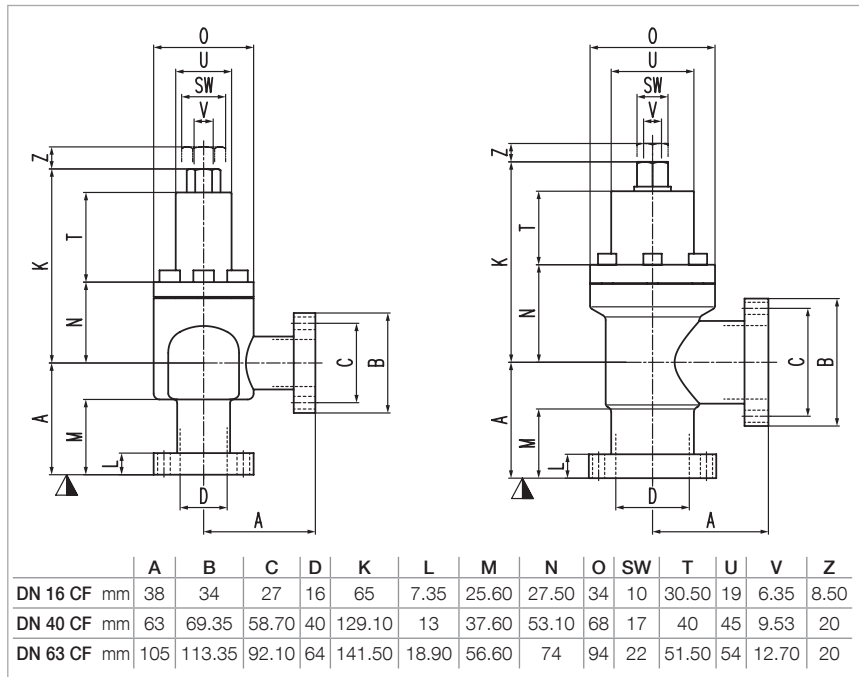
# UHV All-Metal Right-Angle Valves

Our UHV all metal angle valves are the reliable solution for all applications in ultra-high vacuum. The innovative design and rotatable CF flanges allow a convenient handling and an easy installation.

The reliability of the valve is achieved by the use of optimal sealing materials. The silver-coated sealing with its very long service life is maintenance-free at more than 1000 cycles. A mechanical stop prevents the valve from too much torque that might cause damages to the sealing. Also the mechanical stop indicates when the valve is fully closed. For operating the valve a plastic hand wheel and a metal T-handle are available. The advantage of the T-handle is that it suited for heating processes and does not need to be removed.

## Advantages to the User

- Very reliable sealing
- Maintenance-free for over 1000 cycles
- Very easy to use, mechanical stop prevents from over torque
- T-handle available for bake out processes
- Coated spindle, no lubrication necessary
- Very high lifetime due to the coated metal sealing



Dimensional drawing DN 16 CF (left), DN 40 / 63 CF (right)

## Technical Data

## UHV-All-Metal Right-Angle Valves with Rotatable Flanges on Both Sides

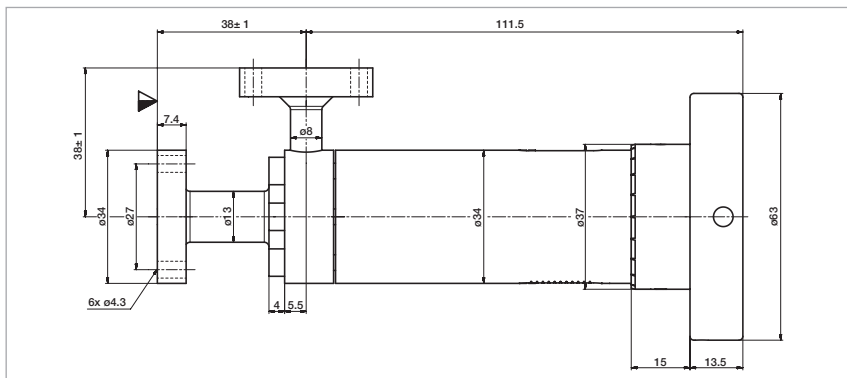
DN	CF	16	40	63
Connection flange rotatable	DN	16 CF-R	40 CF-R	63 CF-R
Leak rate: body, valve seat	mbar x l/s	<1 x 10 <sup>-10</sup>		
Differential pressure on the plate in either direction	bar	2		
Differential pressure at opening	bar	1		
Closing force		closing to a mechanical stop		
Turns per stroke		6	11	9
Valve position indication		visual (mechanical)		
Service life	cycles	1000		
Conductance for molecular flow	l/s	5	50	105
Pressure, absolute min.	mbar	1 x 10 <sup>-11</sup>		
max.	bar	2		
Mounting orientation		any		
Bake out temperature	°C	≤ 300		
Max. heating and cooling rate	°C/h	≤ 60		
Bellows	Material	Stainless steel 1.4404		
Valve disk	Material	Stainless steel 1.4404, 1.4435		
Valve disk seal	Material	Metal		
Weight	kg	0.4	1.9	5.9

## Ordering information

## UHV-All-Metal Right-Angle Valves with Rotatable Flanges on Both Sides

	Part No.	Part No.	Part No.
UHV all-metal right-angle valves	<b>28980V01</b>	<b>28981V01</b>	<b>28982V01</b>
T-bar, metal	<b>289811V01</b>	<b>289812V01</b>	<b>289813V01</b>
Handwheel, plastic	<b>289801V01</b>	<b>289802V01</b>	-

# UHV All-Metal Variable Leak Valves



Dimensional drawing for the all-metal variable leak valves

## Technical Data

## UHV All-Metal Variable Leak Valves

Connection flange	DN	16 CF-R
Position indication		Linear scale - scale ring
Leak rate		
to the outside	mbar x l/s	$\leq 1 \times 10^{-10}$
seat "closed position"	mbar x l/s	$\leq 1 \times 10^{-10}$
Molecular conductance	l/s	0.05
Adjustable gas flow [air, 1 bar, RT]	mbar x l/s	$1 \times 10^{-10}$ - 500
Dead volume		
seat port	cm <sup>3</sup>	2.7
side port	cm <sup>3</sup>	1.1
Pressure range	bar (abs.)	UHV to 10
Test pressure	bar	1
Differential pressure	bar	$\leq 10$
Max. differential pressure at opening	bar	$\leq 10$
Cycles until first service		20 000
Bake-out temperature		
open	°C	$\leq 300$
closed	°C	$\leq 300$
actuator	°C	$\leq 300$
Heating and cooling rate	°C/h	$\leq 60$
Material		
body		1.4943, AISI 660 / 1.4404, AISI 316 L
diaphragm		1.4310, AISI 301, gold plated
Mounting position		any
Radiation resistance	Gy (rad)	$10^8$ ( $10^{10}$ )
Turns from open to close		22
Weight	kg (lbs)	0.94 (2.07)

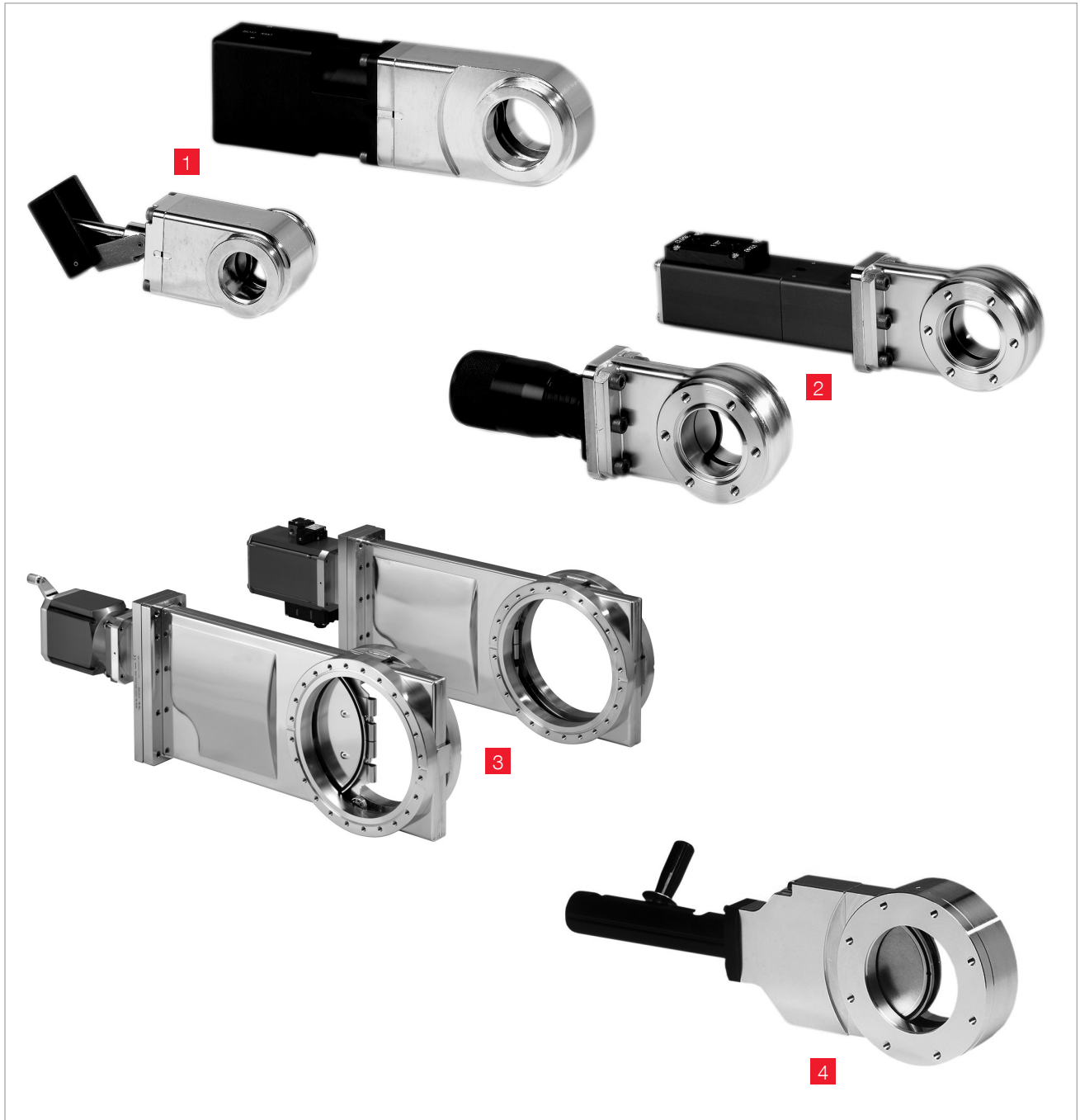
## Ordering Information

## UHV All-Metal Variable Leak Valves

	Part No.
UHV all-metal variable leak valve	<b>28990V01</b>



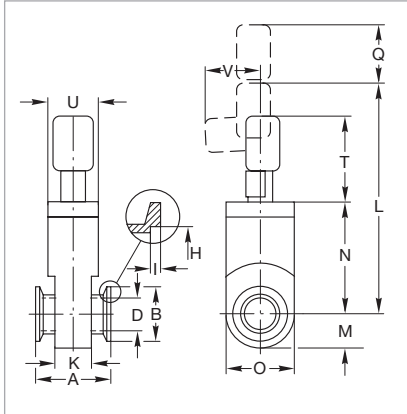
# Gate Valves with ISO-KF / CF / ISO-F Flanges Overview



- 1** Miniature UHV gate valves, ISO-KF flange
- 2** Miniature UHV gate valves, CF flange
- 3** UHV gate valves
- 4** HV gate valves

For the precise installation dimensions, please refer to the product's Operating Instructions.

# Miniature Gate Valves, ISO-KF, Manually Operated (Articulated Lever)



Dimensional drawing for the miniature UHV gate valves, articulated lever, ISO-KF flange

## Dimension Table

DN	ISO-KF	16	25	40
A	mm	40	50	51
B	mm	30	40	55
D	mm	15	24	39
H	mm	17.2	26.2	41.2
I	mm	3	3	3
K	mm	25	32	31
L	mm	100	139	208
M	mm	15	22	32,5
N	mm	39	59	93
O	mm	30	44	65
Q	mm	25	35	55
T	mm	37	50	85
U	mm	25	32	40
V	mm	30	30	50

## Advantages to the User

- Cost-effective gate valve for industrial applications with elastomer-sealed push gate feedthrough
- Aluminum body
- Slim and light-weight
- Low play in the locked state and low wear



## Technical Data

## Miniature Gate Valve

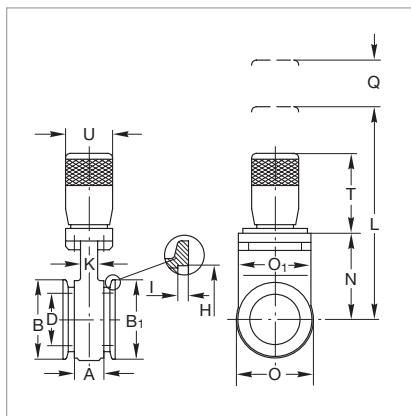
		DN 16 ISO-KF	DN 25 ISO-KF	DN 40 ISO-KF
Tightness				
Body	mbar x l/s	< 1 x 10 <sup>-9</sup>		
Valve seat	mbar x l/s	< 1 x 10 <sup>-9</sup>		
Pressure range, abs.		1 x 10 <sup>-7</sup> mbar to 2 bar		
High vacuum conductance	l/s	10	34	140
Differential pressure at the valve gate	bar	≤ 2 in both directions		
Max. differential pressure during opening	mbar	≤ 30		
Service life until first maintenance	cycles	50,000		
Degassing temperature for the valve	°C	100 / 100		
manual open / closed	°C	80		
Installation orientation		any		
Weight	kg	0.4	0.4	0.7
Material				
Valve body		AlMgSi1 (3.2315)		
Valve gate		AISI 301 (1.4310)		
Seal (head, gate)		Viton/Viton		

## Ordering Information

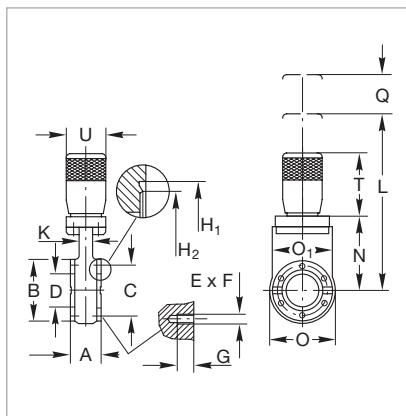
## Miniature Gate Valve

	DN 16 ISO-KF	DN 25 ISO-KF	DN 40 ISO-KF
	Part No.	Part No.	Part No.
Miniature gate valve, manually operated, articulated lever	<b>286 06</b>	<b>286 08</b>	<b>286 09</b>

# Miniature UHV Gate Valves, ISO-KF and CF, Manually Operated (Handwheel)



Dimensional drawing for the miniature UHV gate valves, manually operated (handwheel), DN 40 ISO-KF



Dimensional drawing for the miniature UHV gate valves, manually operated (handwheel), DN 40 CF

## Advantages to the User

- Bellows-sealed feedthrough
- Valve technology with only one moving part
- Equipped with a mechanical position indicator
- Low particle generating and vibration free actuation
- Compact design

## Dimension Table

DN		40 ISO-KF	40 CF
A	mm	50	35
B	mm	72	72
B <sub>1</sub>	mm	55	-
C	mm	-	58,7
D	mm	40	40
E x F		-	6 x M 6
G	mm	-	7
H	mm	41.2	-
H <sub>1</sub>	mm	-	48.3
H <sub>2</sub>	mm	-	42
I	mm	3	-
K	mm	16	16
L	mm	198	198
N	mm	82	82
O	mm	76	76
O <sub>1</sub>	mm	70	70
Q	mm	55	55
T	mm	73	73
U	mm	45	45

## Technical Data

## Miniature UHV Gate Valve

### DN 40 ISO-KF

### DN 40 CF

Tightness			
Body	mbar x l/s		$< 5 \times 10^{-10}$
Valve seat	mbar x l/s		$< 1 \times 10^{-9}$
Pressure range, abs.			$1 \times 10^{-10}$ mbar to 2 bar
High vacuum conductance	l/s	160	220
Differential pressure at the valve gate	bar		$\leq 2$ in both directions
Max. differential pressure during opening	mbar		$\leq 30$
Service life until first maintenance	cycles		50,000
Degassing temperature			
valve open / closed	°C		250 / 200
manually operated	°C		250
Installation orientation			any
Weight	kg		1.5
Material			
Valve body			AISI 304 (1.4301)
Valve gate			AISI 304 (1.4301)
Bellows			AISI 316 L (1.4435)
Seal (head, gate)			Viton/Viton

## Ordering Information

## Miniature UHV Gate Valve

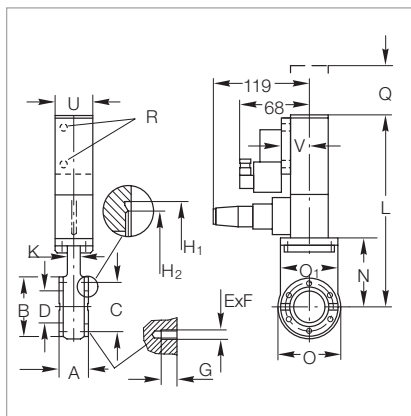
### DN 40 ISO-KF

### DN 40 CF

	Part No.	Part No.
Miniature gate valve, manually operated, handwheel	<b>286 15</b>	<b>286 84</b>
6 set screws with nuts and washers <sup>1)</sup>	-	<b>839 11</b>

<sup>1)</sup> For dimensions E x F see table "Connections for CF"

# Miniature UHV Gate Valves, ISO-KF / CF, Electropneumatically Operated



Dimensional drawing for the miniature UHV gate valves; electropneumatically operated, CF flange

## Advantages to the User

- Double-acting electropneumatic actuator (with position indicator and pilot valve); bellows-sealed feedthrough
- Valve technology with only one moving part
- Equipped with a mechanical position indicator
- Actuation free of particles and vibrations
- Short closing time, very long service life
- Compact design

## Dimension Table

DN		40 ISO-KF	40 CF
A	mm	51	35
B	mm	55	72
C	mm	-	58.7
D	mm	40	40
E x F		-	6 x M 6
G	mm	-	7
H	mm	41.2	-
H <sub>1</sub>	mm	-	48.3
H <sub>2</sub>	mm	-	42
I	mm	3	-
K	mm	31	16
L	mm	196	230
M	mm	32.5	-
N	mm	88	82
O	mm	65	76
O <sub>1</sub>	mm	-	70
Q	mm	55	55
T	mm	-	73
U	mm	40	45
V	mm	65	32.5
W	mm	61	-
W <sub>1</sub>	mm	50	-

## Technical Data

## Miniature UHV Gate Valve

### DN 40 ISO-KF (Stainless Steel)

### DN 40 CF (Stainless Steel)

Tightness			
Body	mbar x l/s		$< 5 \times 10^{-10}$
Valve seat	mbar x l/s		$< 1 \times 10^{-9}$
Pressure range, abs.			$1 \times 10^{-10}$ mbar to 2 bar
High vacuum conductance	l/s	160	220
Differential pressure at the valve gate	bar		$\leq 2$ in both directions
Max. differential pressure during opening	mbar		$\leq 30$
at reduced service live	bar		1
Service life until first maintenance	cycles		50,000
Degassing temperature			
Valve open / closed	°C		$\leq 250 / 200$
pneumatic actuation	°C		$\leq 200$
position indicator / pilot valve	°C		80 / 50
Warming-up and cooling down speed	°C x h <sup>-1</sup>		50
Compressed air, min. / max.	bar		4.5 / 7.0
Closing time / opening time	s		0.7
Pilot valve			
supply voltage / power consumption			24 V DC / 6 W or 230 V AC, 50/60 Hz / 2 W
Switching capacity of the position indicator at 80 °C	A		5 at 250 V AC; 3 at 50 V DC
Installation orientation			any
Weight	kg		1.8
Material			
Valve body			AISI 304 (1.4301)
Valve gate			AISI 304 (1.4301)
Bellows			AISI 316 L (1.4435)
Seal (head, gate)			Metal/Viton

## Ordering Information

## Miniature UHV Gate Valve

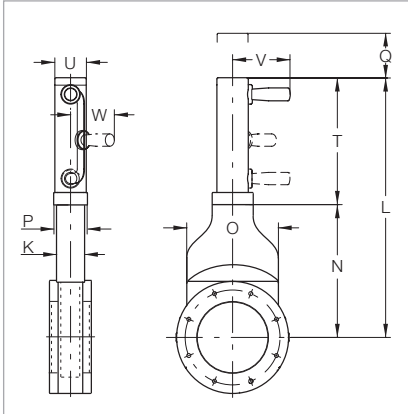
### DN 40 ISO-KF (Stainless Steel)

### DN 40 CF (Stainless Steel)

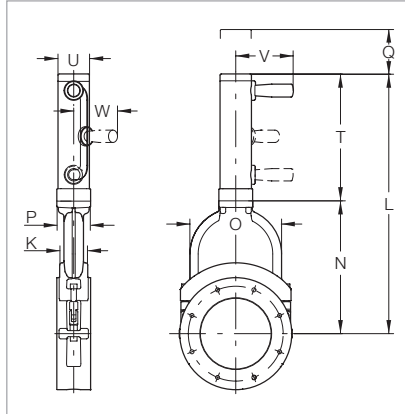
	Part No.	Part No.
Miniature gate valve, electropneumatically operated		
24 V DC / 6 W	<b>286 36</b>	<b>286 99</b>
230 V AC, 50/60 Hz / 2 W	<b>286 35</b>	<b>286 94</b>
6 set screws with nuts and washers <sup>1)</sup>	-	<b>839 11</b>

<sup>1)</sup> For dimensions E x F see table "Connections for CF"

# HV Gate Valves, ISO-F Manually Operated



Dimensional drawing for the HV gate valves; manually operated, DN 63 ISO-F and DN 100 ISO-F



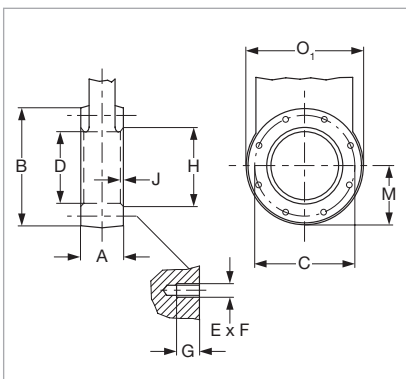
Dimensional drawing for the HV gate valves; manually operated, DN 160 ISO-F

## Advantages to the User

- Cost-effective gate valve for industrial applications with elastomer-sealed push gate feedthrough
- Aluminum body
- Slim and light-weight
- Low play in the locked state and low wear

## Dimension Table

DN	ISO-F	63	100	160
K	mm	36	36	58
L	mm	329.5	41	547
N	mm	155.5	203.5	280
O	mm	100	140	192
P	mm	48	48	70
Q	mm	25	25	60
T	mm	174	209.5	267
U	mm	43	43	65
V	mm	94	94	122
W	mm	75	75	95



Connection dimensions for ISO-F flanges (HV gate valves)

## Connections for ISO-F

DN	ISO-F	63	100	160
A	mm	60	60	70
B	mm	130	165	235
C	mm	110	145	200
D	mm	65	100	150
E x F		4 x M8	8 x M8	8 x M10
G	mm	12	12	16
H	mm	70	102	153
J	mm	3	3	5
M	mm	65.5	83	117.5
O <sub>1</sub>	mm	131	166	237

## Technical Data

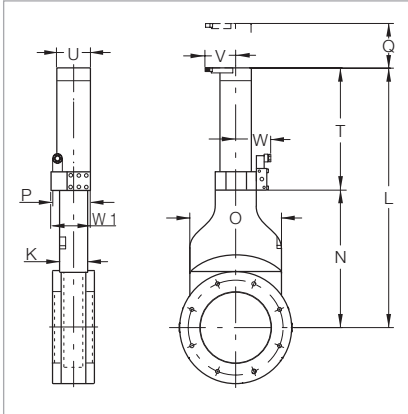
		HV Gate Valve		
		DN 63 ISO-F	DN 100 ISO-F	DN 160 ISO-F
Tightness				
Body	mbar x l/s	< 1 x 10 <sup>-9</sup>		
Valve seat	mbar x l/s	< 1 x 10 <sup>-9</sup>		
Pressure range, abs.		1 x 10 <sup>-7</sup> mbar to 1.6 bar		
High vacuum conductance	l/s	550	2000	6000
Differential pressure at the valve gate	bar	1.6 in both directions		
Max. differential pressure during opening	mbar	≤ 30		
Service life until first maintenance	cycles	200,000	200,000	100,000
Degassing temperature				
valve	°C	120		
manually operated	°C	80		
Installation orientation		any		
Weight	kg	3	4.5	9
Material				
Valve body		AlMg4.5Mn		
Valve gate		AISI 304 (1.4301)		
Mechanism		AISI 301 (1.4310), AISI 304(1.4301), AISI 420 (1.4034)		
Seal (head, gate)		Viton		

## Ordering Information

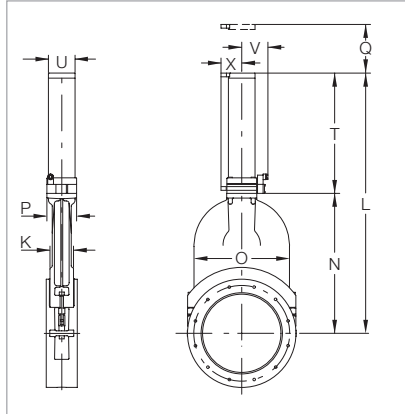
		HV Gate Valve		
		DN 63 ISO-F	DN 100 ISO-F	DN 160 ISO-F
		Part No.	Part No.	Part No.
HV gate valve, manually operated		<b>286 25</b>	<b>286 26</b>	<b>215 633</b>
Set screws with nuts and washers <sup>1)</sup>		<b>839 13</b>	<b>839 13</b>	<b>210 071</b>
(Package each containing)	pieces	16	16	12

<sup>1)</sup> For dimensions E x F see table "Connections for ISO-F"

# HV Gate Valves, ISO-F, Electropneumatically Operated



Dimensional drawing for the gate valves;  
DN 63 ISO-F and DN 100 ISO-F



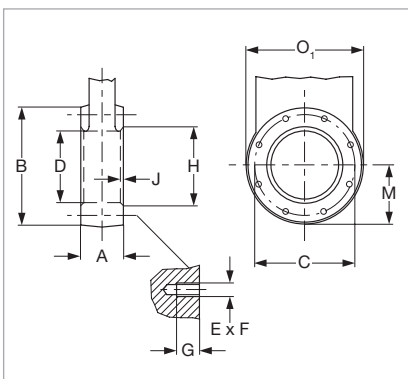
Dimensional drawing for the gate valves;  
DN 160 ISO-F to DN 250 ISO-F

## Advantages to the User

- Cost-effective gate valve for industrial applications with elastomer-sealed push gate feedthrough
- Aluminum body
- Slim and light-weight
- Low play in the locked state and low wear
- Double-acting
- With position indicator

## Dimension Table

DN	ISO-F	63	100	160	200	250
K	mm	36	36	58	66	76
L	mm	341.5	424	547	688	843
N	mm	155.5	203.5	280	363.5	453
O	mm	100	140	192	240	308
P	mm	58	58	70	80	96
Q	mm	25	25	60	80	100
T	mm	186	221.5	267	324.5	390
U	mm	55	55	65	75	86
V	mm	56	56	71.5	76.5	84.5
W	mm	72	72	-	-	-
W <sub>1</sub>	mm	65.5	65.5	-	-	-
X	mm	59	59	57	62	67



Connection dimensions for ISO-F flanges  
(HV Gate Valves)

## Connections for ISO-F

DN	ISO-F	63	100	160	200	250
A	mm	60	60	70	80	100
B	mm	130	165	235	288	350
C	mm	110	145	200	260	310
D	mm	65	100	150	200	261
E x F		4 x M8	8 x M8	8 x M10	12 x M10	12 x M10
G	mm	12	12	16	16	16
H	mm	70	102	153	213	-
J	mm	3	3	5	5	-
M	mm	65.5	83	117.5	144	175
O <sub>1</sub>	mm	131	166	237	290	352



## Technical Data

## HV Gate Valve

**DN 63 ISO-F   DN 100 ISO-F   DN 160 ISO-F   DN 200 ISO-F   DN 250 ISO-F**

Tightness						
Body	mbar x l/s	$< 1 \times 10^{-9}$				
Valve seat	mbar x l/s	$< 1 \times 10^{-9}$				
Pressure range, abs.		1 x 10 <sup>-7</sup> mbar to 1.6 bar	1 x 10 <sup>-7</sup> mbar to 1.6 bar	1 x 10 <sup>-7</sup> mbar to 1.6 bar	1 x 10 <sup>-7</sup> mbar to 1.6 bar	1 x 10 <sup>-7</sup> mbar to 1.2 bar
High vacuum conductance	l/s	550	2000	6000	12000	22000
Max. Differential pressure at the valve gate	mbar	≤ 1600 in both directions	≤ 1600 in both directions	≤ 1600 in both directions	≤ 1600 in both directions	≤ 1200 in both directions
Max. differential pressure during opening	mbar	≤ 30				
Compressed air, min. / max.	bar	4 / 7				
Closing time / opening time	s	1.5	2	2	3	5
Service life until first maintenance	cycles	200,000	200,000	100,000	100,000	100,000
Degassing temperature						
valve	°C	120				
pneumatic drive	°C	80				
position indicator	°C	80				
pilot valve	°C	50				
Switching capacity for the position indicator	A	5 at 230 V AC; 3 at 50 V DC				
Installation orientation		any				
Weight	kg	3	4.5	9	18	25
Material						
Valve body		AlMg4.5Mn	AlMg4.5Mn	G-AISI7Mg	G-AISI7Mg	G-AISI7Mg
Valve gate		AISI 304 (1.4301)	AISI 304 (1.4301)	AlMgSi1,	AlMgSi1,	AlMgSi1,
Mechanism		AISI 301 (1.4310), AISI 304 (1.4301), AISI 420 (1.4034)	AISI 301 (1.4310), AISI 304 (1.4301), AISI 420 (1.4034)	AISI 301 (1.4310), AISI 304 (1.4301), AISI 420 (1.4034)	AISI 301 (1.4310), AISI 304 (1.4301), AISI 420 (1.4034)	AISI 301 (1.4310), AISI 304 (1.4301), AISI 420 (1.4034)
Seal (head, gate)		Viton/Viton	Viton/Viton	Viton/Viton	Viton/Viton	Viton/Viton

## Ordering Information

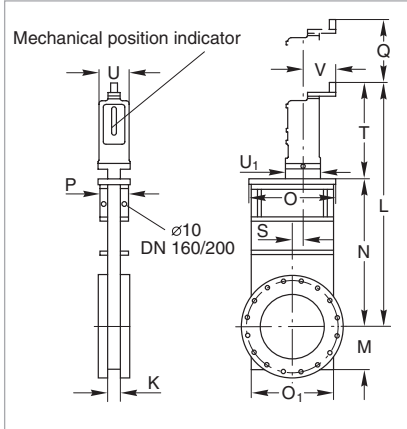
## HV Gate Valve

**DN 63 ISO-F   DN 100 ISO-F   DN 160 ISO-F   DN 200 ISO-F   DN 250 ISO-F**

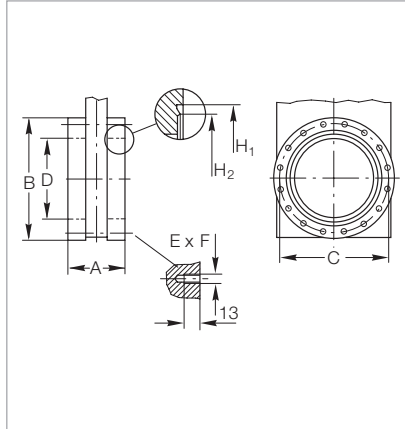
	Part No.	Part No.	Part No.	Part No.	Part No.
HV gate valve, electropneumatically operated					
24 V DC / 2.5 W	<b>286 55</b>	<b>286 56</b>	-	-	-
24 V DC / 6 W	-	-	<b>215 643</b>	<b>215 644</b>	<b>215 645</b>
230 V AC, 50 Hz / 7.1 W	<b>286 45</b>	<b>286 46</b>	<b>215 653</b>	<b>215 654</b>	<b>215 655</b>
Set screws with nuts and washers <sup>1)</sup>					
(Package each containing)	pieces	pieces	pieces	pieces	pieces
	16	16	12	12	12

<sup>1)</sup> For dimensions E x F see table "Connections for ISO-F"

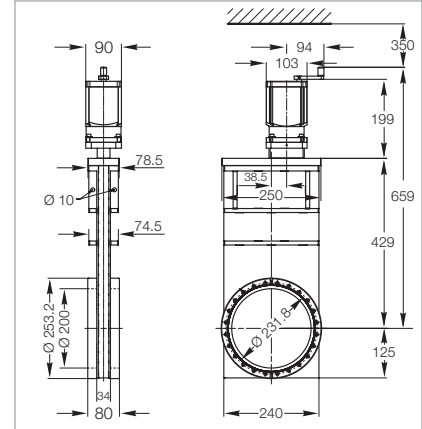
# UHV Gate Valves, CF Manually Operated



Dimensional drawing for the UHV gate valves  
DN 63 CF to DN 160 CF



Connection dimensions for CF flanges



Dimensional drawing for the UHV gate valve  
DN 200 CF

## Dimension Table

DN	CF	63	100	160
K	mm	27	27	27
L	mm	408	462	552
M	mm	57	73	99
N	mm	192	247	336
O	mm	115	145	200
O <sub>1</sub>	mm	112	142	192
P	mm	70	70	70
Q	mm	180	220	290
S	mm	11	9	25
T	mm	184	184	184
U	mm	70	70	70
U <sub>1</sub>	mm	83	83	83
V	mm	77	77	77

## Connections for CF

DN	CF	63	100	160
A	mm	70	70	70
B <sub>2</sub>	mm	113.5	151.6	202.4
C	mm	92.1	130.2	181
D	mm	70	100	150
E x F	mm	8 x M8	16 x M8	20 x M8
H <sub>1</sub>	mm	82.5	120.65	171.45
H <sub>2</sub>	mm	77.4	115.5	166

## Advantages to the User

- Valve and wheel can be degassed at temperatures up to 250 °C (up to 200 °C when closed)
- Stainless steel body (non-rusting)
- Bellows-sealed feedthrough
- Low play in the locked state and low wear
- Compact
- Mechanically locked in the closed state
- Mechanical position indicator

## Technical Data

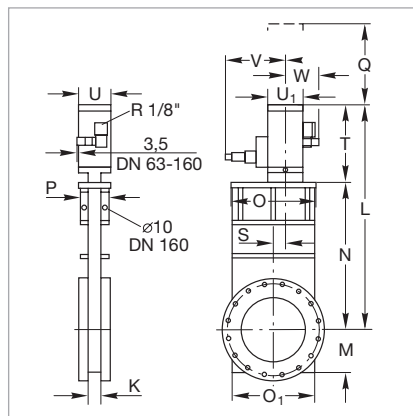
		<b>UHV Gate Valve</b>			
		<b>DN 63 CF</b>	<b>DN 100 CF</b>	<b>DN 160 CF</b>	<b>DN 200 CF</b>
Tightness	Body	$< 5 \times 10^{-9}$			
	Valve seat	$< 1 \times 10^{-9}$			
Pressure range, abs.		$1 \times 10^{-10}$ mbar to 1.6 bar			
High vacuum conductance	l/s	600	1700	6000	12000
Differential pressure at the valve gate	bar	$\leq 1.6$ in both directions			
Max. differential pressure during opening	mbar	$\leq 30$			
Number of spindle turns for full travel		10	13	17	17
Service life until first maintenance	cycles	50,000			
Degassing temperature	valve open / closed	$250 / 200$			
	manually operated	250			
Warming-up / cooling down speed	$^{\circ}\text{C} \times \text{h}^{-1}$	50			
Installation orientation		any			
Weight	kg	9	12	18	28
Material		AISI 304 (1.4301)			
Body		AISI 316 L (1.4435)			
Bellows		AISI 304 (1.4301), AISI 316 L (1.4404), AISI 301 (1.4310), AISI 420 (1.4034)			
Mechanism		Metal/Viton			
Seal (head, gate)		Metal/Viton			

## Ordering Information

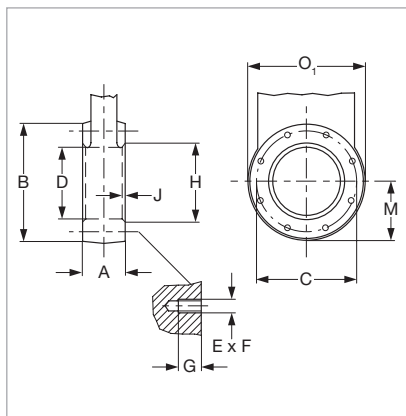
		<b>UHV Gate Valve</b>			
		<b>DN 63 CF</b>	<b>DN 100 CF</b>	<b>DN 160 CF</b>	<b>DN 200 CF</b>
		<b>Part No.</b>	<b>Part No.</b>	<b>Part No.</b>	<b>Part No.</b>
UHV gate valve, manually operated		<b>286 85</b>	<b>286 86</b>	<b>286 87</b>	<b>286 88</b>
16 set screws with nuts and washers <sup>1)</sup>		<b>839 13</b>	<b>839 13</b>	<b>2 x 839 13</b>	<b>2 x 839 13</b>

<sup>1)</sup> For dimensions E x F see table "Connections for ISO-F"

# UHV Gate Valves, ISO-F, Electropneumatically Operated



Dimensional drawing for the UHV gate valves ISO-F



Connection dimensions for ISO-F flanges (UHV gate valves)

## Advantages to the User

- Valve and pneumatic drive can be degassed at temperatures up to 250 °C and 200 °C respectively
- Stainless steel body (non-rusting)
- Double-acting electropneumatic actuator (with position indicator and pilot valve)
- Bellows-sealed feedthrough
- Low play in the locked state and low wear
- Compact
- Mechanically locked in the closed state

## Dimension Table

DN	ISO-F	100	160	250
K	mm	27	27	41
L	mm	418	523	800
M	mm	73	99	161
N	mm	247	336	560
O	mm	145	200	345
O <sub>1</sub>	mm	142	192	322
P	mm	70	70	80
Q	mm	220	290	450
S	mm	9	25	65
T	mm	171	187	240
U	mm	70	70	90
U <sub>1</sub>	mm	83	83	103
V	mm	145	145	155
W	mm	77	77	87

## Connections for ISO-F

DN	ISO-F	100	160	250
A	mm	70	70	100
B	mm	165	225	350
C	mm	145	200	310
D	mm	100	150	261
E x F		8 x M8	8 x M10	12 x M10
G	mm	13	13	15
H	mm	102	153	-
J	mm	3	5	-

## Technical Data

## UHV Gate Valve

		DN 100 ISO-F	DN 160 ISO-F	DN 250 ISO-F
Tightness				
Body	mbar x l/s	< 5 x 10 <sup>-10</sup>		
Valve seat	mbar x l/s	< 1 x 10 <sup>-9</sup>		
Pressure range, abs.		1 x 10 <sup>-10</sup> mbar to 1 bar		
High vacuum conductance	l/s	1700	6000	26000
Differential pressure at the valve gate	bar	1 in both directions		
Max. differential pressure during opening	mbar	30		
Compressed air, min. / max.	bar	4 / 7	4 / 7	5 / 7
Closing time / opening time	s	1.2	1.5	4
Compressed air cylinder, volume	l	0.11	0.14	0.35
Service life until first maintenance	cycles	50,000		
Degassing temperature				
valve open / closed	°C	250 / 200		
pneumatic drive	°C	200		
position indicator	°C	80		
pilot valve	°C	50		
Warming-up / cooling down speed	°C x h <sup>-1</sup>	50		
Pilot valve supply voltage / power consumption		24 V DC / 6 W or 230 V AC, 50 Hz / 7.1 W	24 V DC / 6 W or 230 V AC, 50 Hz / 7.1 W	24 V DC / 6 W
Switching capacity of the position indicator at 80 °C	A	5 at 250 V AC; 3 at 50 V DC		
Installation orientation		any		
Weight	kg	12	18	42
Material				
Body		AISI 304 (1.4301)		
Bellows		AISI 316 L (1.4435)		
Mechanism		AISI 304 (1.4301), AISI 316 L (1.4404), AISI 301 (1.4310), AISI 420 (1.4034)		
Seal (head, gate)		Metal/Viton		

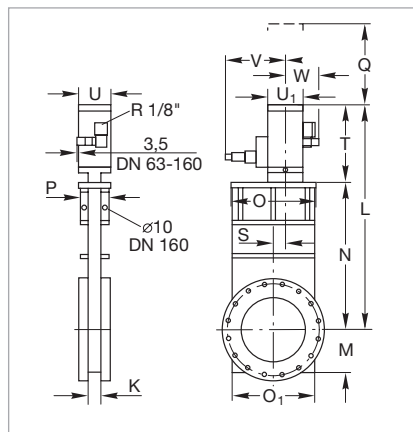
## Ordering Information

## UHV Gate Valve

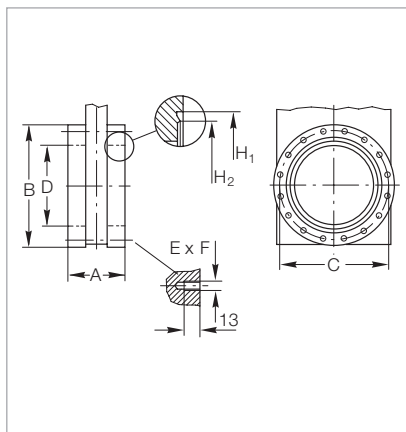
		DN 100 ISO-F	DN 160 ISO-F	DN 250 ISO-F
		<b>Part No.</b>	<b>Part No.</b>	<b>Part No.</b>
UHV gate valve, electropneumatically operated				
24 V DC / 6 W		<b>286 73</b>	<b>286 74</b>	<b>286 81</b>
230 V AC, 50 Hz / 7.1 W		<b>286 76</b>	<b>286 77</b>	-
Set screws with nuts and washers <sup>1)</sup>				
(Package each containing)	pieces	<b>839 13</b> 16	<b>210 071</b> 12	<b>210 071</b> 12

<sup>1)</sup> For dimensions E x F see table "Connections for ISO-F"

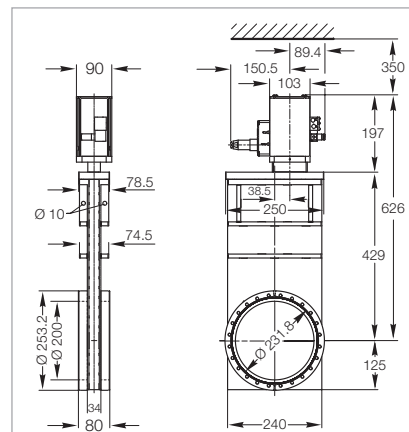
# UHV Gate Valves, CF, Electropneumatically Operated



Dimensional drawing for the UHV gate valves DN 63 CF to DN 160 CF electropneumatically operated



Connection dimension for CF flanges DN 63 CF to DN 160 CF



Dimensional drawing for the UHV gate valve DN 200 CF electropneumatically operated

## Dimension Table

DN	CF	63	100	160	200
K	mm	27	27	27	35
L	mm	346	418	523	630
M	mm	57	73	99	125
N	mm	192	247	336	430
O	mm	115	145	200	250
O <sub>1</sub>	mm	112	142	192	240
P	mm	70	70	70	80
Q	mm	180	220	290	350
S	mm	11	9	25	38,5
T	mm	154	171	187	200
U	mm	70	70	70	90
U <sub>1</sub>	mm	83	83	83	103
V	mm	145	145	145	155
W	mm	77	77	77	87

## Connections for CF

DN	CF	63	100	160	200
A	mm	70	70	70	80
B <sub>2</sub>	mm	113.5	151.6	202.4	253.2
C	mm	92.1	130.2	181	231.8
D	mm	70	100	150	200
E x F		8 x M8	16 x M8	20 x M8	24 x M8
H <sub>1</sub>	mm	82.5	120.65	171.45	222.3
H <sub>2</sub>	mm	77.4	115.5	166	217

## Advantages to the User

- Double-acting electropneumatic actuator (with position indicator and pilot valve)
- Bellows-sealed feedthrough
- Valve and pneumatic drive can be degassed at temperatures up to 250 °C and 200 °C respectively
- Stainless steel body (non-rusting)
- Low play in the locked state and low wear
- Compact
- Mechanically locked in the closed state

## Technical Data

## UHV Gate Valve

		DN 63 CF	DN 100 CF	DN 160 CF	DN 200 CF
Tightness					
Body	mbar x l/s	$< 5 \times 10^{-10}$			
Valve seat	mbar x l/s	$< 1 \times 10^{-9}$			
Pressure range, abs.		$1 \times 10^{-10}$ mbar to 1 bar			
High vacuum conductance	l/s	600	1700	6000	12000
Differential pressure at the valve gate	bar	1 in both directions			
Max. differential pressure during opening	mbar	30			
Druckluft, min. / max.	bar	4 / 7	4 / 7	4 / 7	5 / 7
Closing time / opening time	s	1	1.2	1.5	4
Compressed air cylinder, volume	l	0.08	0.11	0.14	0.35
Service life until first maintenance	cycles	50,000			
Degassing temperature					
Valve open / closed	°C	250 / 200			
Pneumatik-Antrieb	°C	200			
position indicator	°C	80			
pilot valve	°C	50			
Warming-up / cooling down speed	°C x h <sup>-1</sup>	50			
Pilot valve supply voltage / power consumption		24 V DC / 6 W or 230 V AC, 50 Hz / 7.1 W			
Switching capacity of the position indicator at 80 °C	A	5 at 250 V AC; 3 at 50 V DC			
Installation orientation		any			
Weight	kg	9	12	18	28
Material					
Body		AISI 304 (1.4301)			
Bellows		AISI 316 L (1.4435)			
Mechanism		AISI 304 (1.4301), AISI 316 L (1.4404), AISI 301 (1.4310), AISI 420 (1.4034)			
Seal (head, gate)		Metal/Viton			

## Ordering Information

## UHV Gate Valve

	DN 63 CF	DN 100 CF	DN 160 CF	DN 200 CF
	<b>Part No.</b>	<b>Part No.</b>	<b>Part No.</b>	<b>Part No.</b>
UHV gate valve, electropneumatically operated				
24 V DC / 6 W	<b>286 89</b>	<b>286 90</b>	<b>286 91</b>	<b>286 92</b>
230 V AC, 50 Hz / 7.1 W	<b>286 95</b>	<b>286 96</b>	<b>286 97</b>	-
16 set screws with nuts and washers <sup>1)</sup>	<b>839 13</b>	<b>839 13</b>	<b>2 x 839 13</b>	<b>2 x 839 13</b>

<sup>1)</sup> For dimensions E x F see table "Connections for CF"







# Sales and Service

## Germany

**Leybold GmbH**  
Bonner Strasse 498  
D-50968 Cologne  
T: +49-(0)221-347 1234  
F: +49-(0)221-347 31234  
sales@leybold.com  
www.leybold.com

**Leybold GmbH**  
**Sales Area North**  
Branch Office Berlin  
Industriestrasse 10b  
D-12099 Berlin  
T: +49-(0)30-435 609 0  
F: +49-(0)30-435 609 10  
sales.bn@leybold.com

**Leybold GmbH**  
**Sales Office South**  
Branch Office Munich  
Karl-Hammerschmidt-Strasse 34  
D-85609 Aschheim-Dornach  
T: +49-(0)89-357 33 9-10  
F: +49-(0)89-357 33 9-33  
sales.mn@leybold.com  
service.mn@leybold.com

**Leybold Dresden GmbH**  
**Service Competence Center**  
Zur Wetterwarte 50, Haus 304  
D-01109 Dresden  
Service:  
T: +49-(0)351-88 55 00  
F: +49-(0)351-88 55 041  
info.dr@leybold.com

## Europe

### Belgium

**Leybold Nederland B.V.**  
**Belgisch bijkantoor**  
Leuvensesteenweg 542-9A  
B-1930 Zaventem  
Sales:  
T: +32-2-711 00 83  
F: +32-2-720 83 38  
sales.zv@leybold.com  
Service:  
T: +32-2-711 00 82  
F: +32-2-720 83 38  
service.zv@leybold.com

### France

**Leybold France S.A.S.**  
Parc du Technopolis, Bâtiment Beta  
3, Avenue du Canada  
F-91940 Les Ulis cedex  
Sales and Service:  
T: +33-1-69 82 48 00  
F: +33-1-69 07 57 38  
info.ctb@leybold.com  
sales.ctb@leybold.com

**Leybold France S.A.S.**  
Valence Factory  
640, Rue A. Bergès  
B.P. 107  
F-26501 Bourg-lès-Valence Cedex  
T: +33-4-75 82 33 00  
F: +33-4-75 82 92 69  
marketing.vc@leybold.com

## Great Britain

**Leybold UK LTD.**  
Unit 9  
Silverglade Business Park  
Leatherhead Road  
Chessington  
Surrey (London)  
KT9 2QL  
Sales:  
T: +44-13-7273 7300  
F: +44-13-7273 7301  
sales.ln@leybold.com  
Service:  
T: +44-13-7273 7320  
F: +44-13-7273 7303  
service.ln@leybold.com

## Italy

**Leybold Italia S.r.l.**  
Via Filippo Brunelleschi 2  
I-20093 Cologno Monzese  
Sales:  
T: +39-02-27 22 31  
F: +39-02-27 20 96 41  
sales.mi@leybold.com  
Service:  
T: +39-02-27 22 31  
F: +39-02-27 22 32 17  
service.mi@leybold.com

## Netherlands

**Leybold Nederland B.V.**  
Floridadreef 102  
NL-3565 AM Utrecht  
Sales and Service:  
T: +31-(30) 242 63 30  
F: +31-(30) 242 63 31  
sales.ut@leybold.com  
service.ut@leybold.com

## Switzerland

**Leybold Schweiz AG**  
Hinterbergstrasse 56  
CH-6312 Steinhausen  
Warehouse and shipping address:  
Riedthofstrasse 214  
CH-8105 Regensdorf  
Sales:  
T: +41-44-308 40 50  
F: +41-44-302 43 73  
sales.zh@leybold.com  
Service:  
T: +41-44-308 40 62  
F: +41-44-308 40 60  
service.zh@leybold.com

## Spain

**Leybold Hispánica, S.A.**  
C/. Huelva, 7  
E-08940 Cornellá de Llobregat  
(Barcelona)  
Sales:  
T: +34-93-666 43 11  
F: +34-93-666 43 70  
sales.ba@leybold.com  
Service:  
T: +34-93-666 46 11  
F: +34-93-685 43 70  
service.ba@leybold.com

## America

### USA

**Leybold USA Inc.**  
5700 Mellon Road  
USA-Export, PA 15632  
T: +1-724-327-5700  
F: +1-724-325-3577  
info.ex@leybold.com  
Sales:  
T: +1-724-327-5700  
F: +1-724-333-1217  
Service:  
T: +1-724-327-5700  
F: +1-724-325-3577

### Brazil

**Leybold do Brasil Ltda.**  
Av. Tamboré, 937, Tamboré  
Distrito Industrial  
CEP 06460-000 Barueri - SP  
Sales and Service:  
T: +55 11 3376 4604  
info.ju@leybold.com

## Asia

### P. R. China

**Leybold (Tianjin)**  
**International Trade Co. Ltd.**  
Beichen Economic  
Development Area (BEDA),  
No. 8 Western Shuangchen Road  
Tianjin 300400  
China  
Sales and Service:  
T: +86-400 038 8989  
F: +86-800 818 0033  
F: +86-22-2697 4061  
F: +86-22-2697 2017  
sales.tj@leybold.com  
service.tj@leybold.com

### India

**Leybold India Pvt Ltd.**  
T-97/2, MIDC Bhosari  
Pune-411 026  
Indien  
Sales and Service:  
T: +91-80-2783 9925  
F: +91-80-2783 9926  
sales.bgl@leybold.com  
service.bgl@leybold.com

### Japan

**Leybold Japan Co., Ltd.**  
Headquarters  
Shin-Yokohama A.K.Bldg., 4th floor  
3-23-3, Shin-Yokohama  
Kohoku-ku, Yokohama-shi  
Kanagawa-ken 222-0033  
Japan  
Sales:  
T: +81-45-471-3330  
F: +81-45-471-3323  
sales.yh@leybold.com

**Leybold Japan Co., Ltd.**  
Tsukuba Technical Service Center  
1959, Kami-yokoba  
Tsukuba-shi, Ibaraki-shi 305-0854  
Japan  
Service:  
T: +81-29 839 5480  
F: +81-29 839 5485  
service.iik@leybold.com

## Malaysia

**Leybold Malaysia**  
**Leybold Singapore Pte Ltd.**  
No. 1 Jalan Hi-Tech 2/G  
Kulim Hi-Tech Park  
Kulim, Kedah Darul  
Aman 09000  
Malaysia  
Sales and Service:  
T: +604 4020 222  
F: +604 4020 221  
sales.ku@leybold.com  
service.ku@leybold.com

## South Korea

**Leybold Korea Ltd.**  
3F. Jellzone 2 Tower  
Jeongja-dong 159-4  
Bundang-gu Sungnam-si  
Gyeonggi-do  
Bundang 463-384, Korea  
Sales:  
T: +82-31 785 1367  
F: +82-31 785 1359  
sales.bd@leybold.com  
Service:  
623-7, Ulsung-Dong  
Cheonan-Si  
Chungcheongnam-Do  
Korea 330-290  
T: +82-41 589 3035  
F: +82-41 588 0166  
service.cn@leybold.com

## Singapore

**Leybold Singapore Pte Ltd.**  
42 Loyang Drive  
Loyang Industrial Estate  
Singapore 508962  
Singapore  
Sales and Service:  
T: +65-6303 7030  
F: +65-6773 0039  
sales.sg@leybold.com  
service.sg@leybold.com

## Taiwan

**Leybold Taiwan Ltd.**  
10F., No. 32, Chenggong 12th St.,  
Zhubei City, Hsinchu County 302  
Taiwan, R.O.C.  
Sales and Service:  
T: +886-3-500 1688  
F: +886-3-550 6523  
sales.hc@leybold.com  
service.hc@leybold.com

## Headquarter

**Leybold GmbH**  
Bonner Strasse 498  
D-50968 Cologne  
T: +49-(0)221-347-0  
F: +49-(0)221-347-1250  
info@leybold.com

